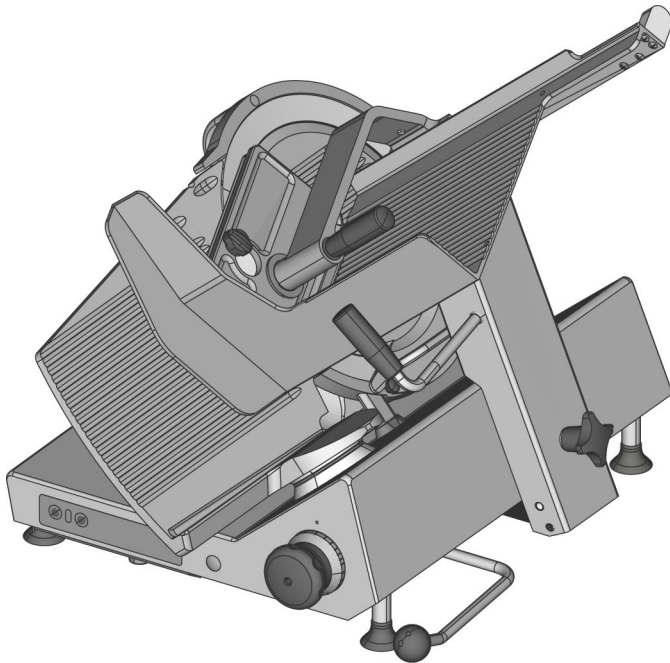


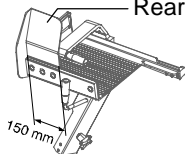
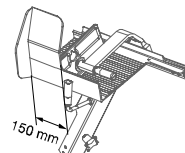
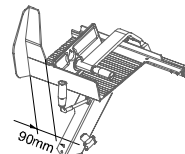
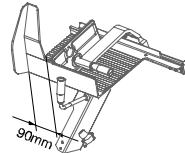
## Precision slicer

### GSP H33 / GSP HC 33

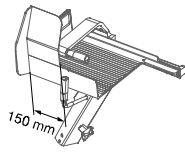
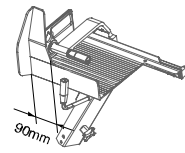


#### Carriage overview

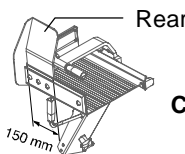
##### 25° High



##### 25° Low



##### 18° Low



Ceraclean



# Precision slicer

## GSP H33 / GSP HC 33

### Content of drawings

Page of drawing

Machine overview .....	1
Basic components	
Assembly overview .....	2
Overview of single parts .....	3
Machine housing, blade bearing preass., blade, belt pulley and accessories .....	4
Blade bearing preass. ....	5
Supporter for blade guard ring, deflector wing .....	6
Motor fastening and belt tension .....	7
Motor cover, guide rail, supporting legs .....	8
Rotary knob and bearing bracket .....	9
Carriage guide, sensor support, rail, angle and locking slider .....	10
Carriage guide cpl. ....	11
Carriage guide preassembled .....	12
Bearing bracket preass. ....	13
Switch cover, deco foil, accessories for LPB .....	14
Automatic switchoff, zero switch .....	15
Lifting lever .....	16
Carriage	
Carriage overview .....	18
Carriage alu welded, 1pc, 25 High, L=90 mm .....	19
Carriage alu welded, 1pc, 25 High, L=150 mm .....	21
Carriage 25 High, transparent, L=150 mm .....	22
Carriage alu welded, 1pc, 25 High, L=90 mm, Ceraclean .....	24
Carriage alu welded, 1pc, 25 Low, L=90 mm .....	26
Carriage alu welded, 1pc, 25 Low, L=150 mm .....	27
Carriage 18 Low, transparent, L=150 mm, Ceraclean .....	28
Cables .....	30

Content of drawings	Page of drawing
Blade motor	
old version, with exhaust air hood .....	31
new version, without exhaust air hood .....	32
LPB, deco foil, transformer, capacitor and strands .....	33
Blade cover .....	34
Blade guard ring – plastic .....	35
Gauge plate fluting .....	36
Signs .....	37
Accessories and product documentations .....	38
Rubberfeet high .....	39
Grinder NSF	
Grinder NSF cpl., 18H/25H .....	40
Grinder NSF cpl., 18L/25L .....	42
Remnant holder .....	43
Tomato guide remn. hold. plate .....	44
Product fixation	
Tomato guide (70x12x347) .....	45
Ruler cpl. (30x12x339) .....	46
Retrofitting set, product fixation .....	47
Vegetable chute and pusher .....	48
Last page of drawings .....	50

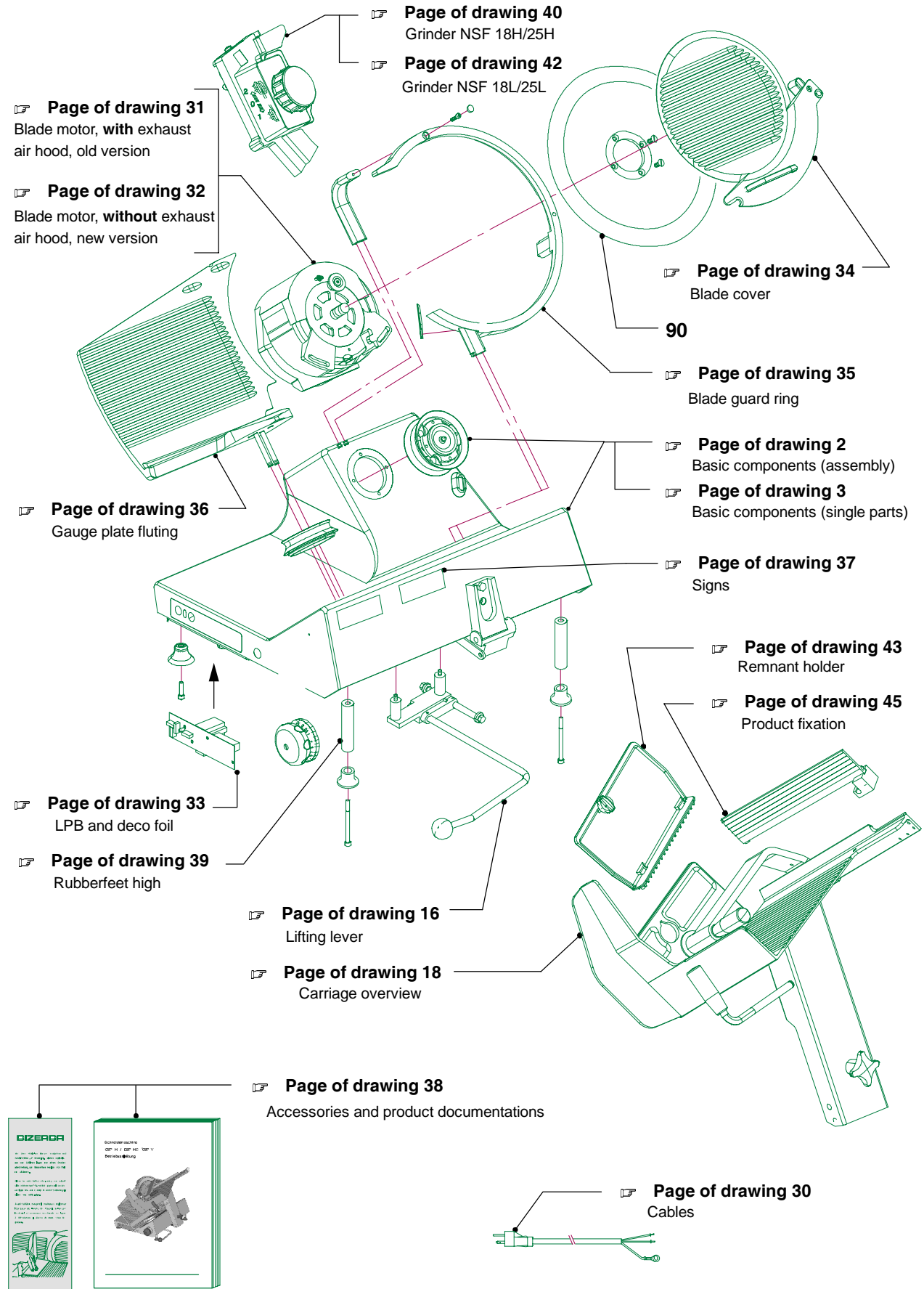
**12-2** Rimmed drawing position numbers mark the assemblies of spare parts. The spare parts, which may be ordered, are marked in a detailed way elsewhere in the spare parts list.

The spare parts marked with „Q” are important for the verification, i. e. at the assembly of these parts the verification seal is destroyed. These parts can be purchased only at authorized Bizerba representations.

On the image and text section spear and wear parts are highlighted with (V).

**The content of the parts number list is located before the text pages in the rear part of the spare parts list.**

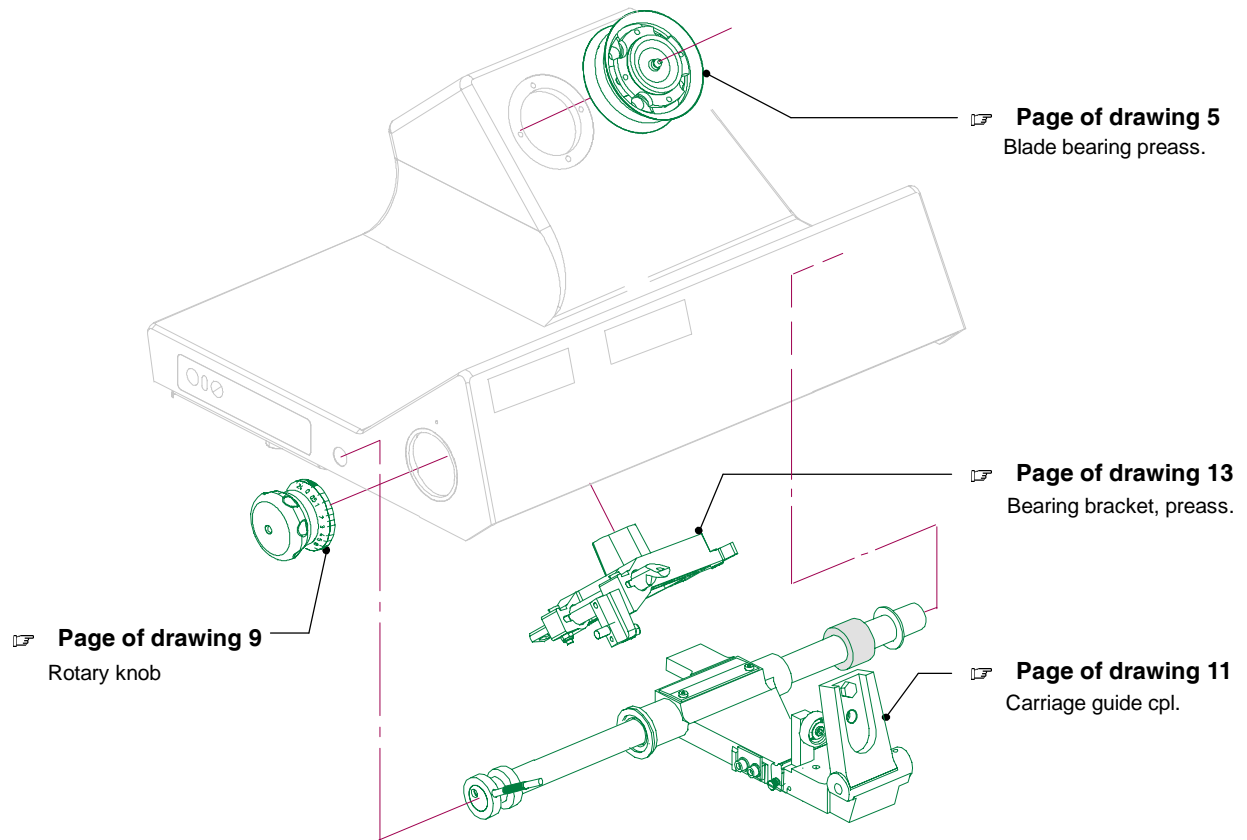
## Machine overview



Page of drawing <b>2</b>	<b>GSP H33 / GSP HC 33</b>	Spare parts list No. <b>037.98.3.1201</b>	Series (code No.) <b>90.034</b>
-----------------------------	----------------------------	--	------------------------------------

## Basic components

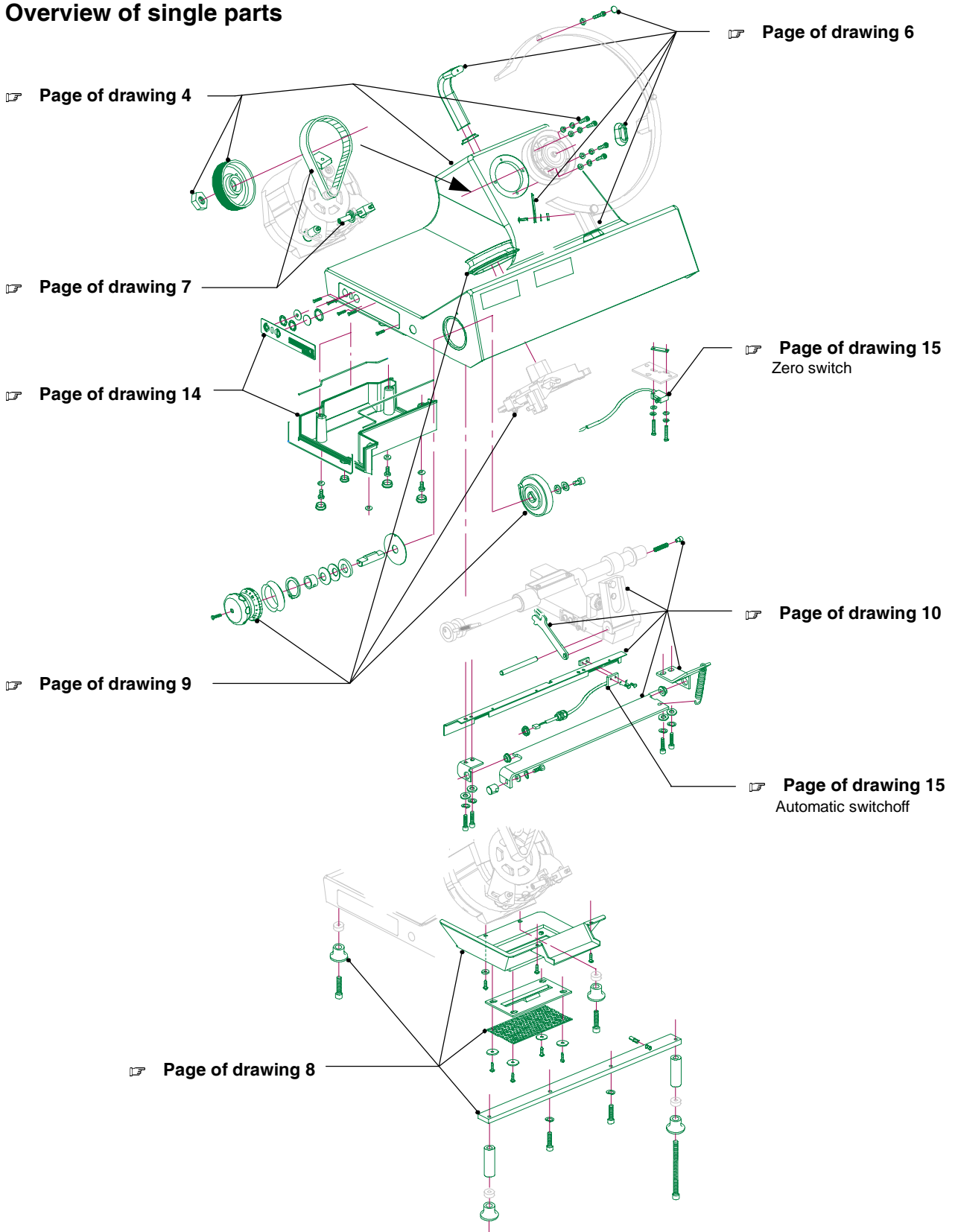
### Assembly overview



**4**

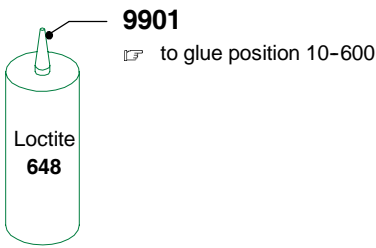
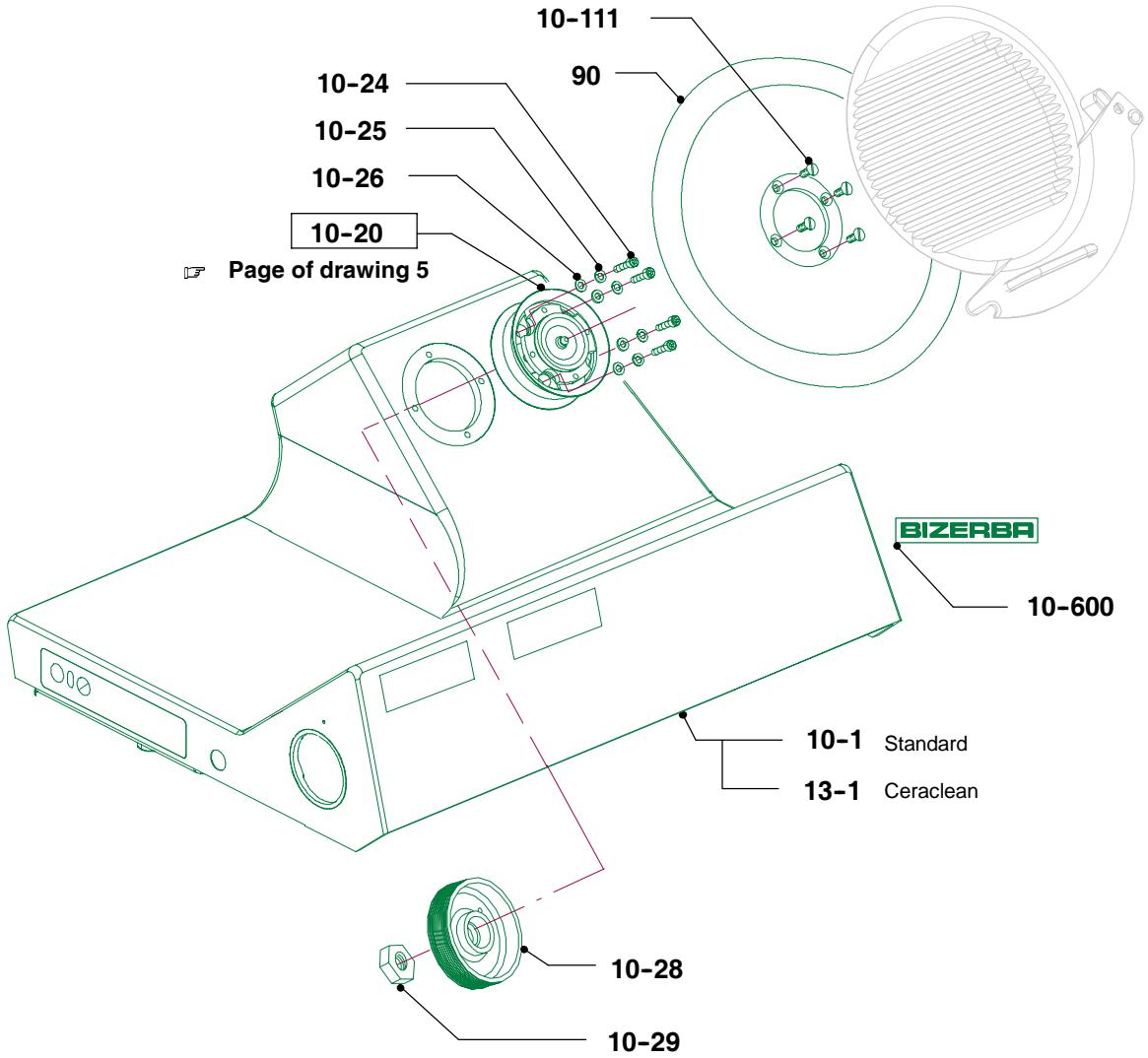
## Basic components

### Overview of single parts



# Basic components

Machine housing, blade bearing press., blade, belt pulley and accessories

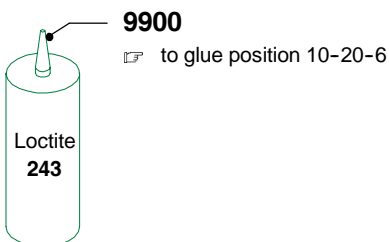
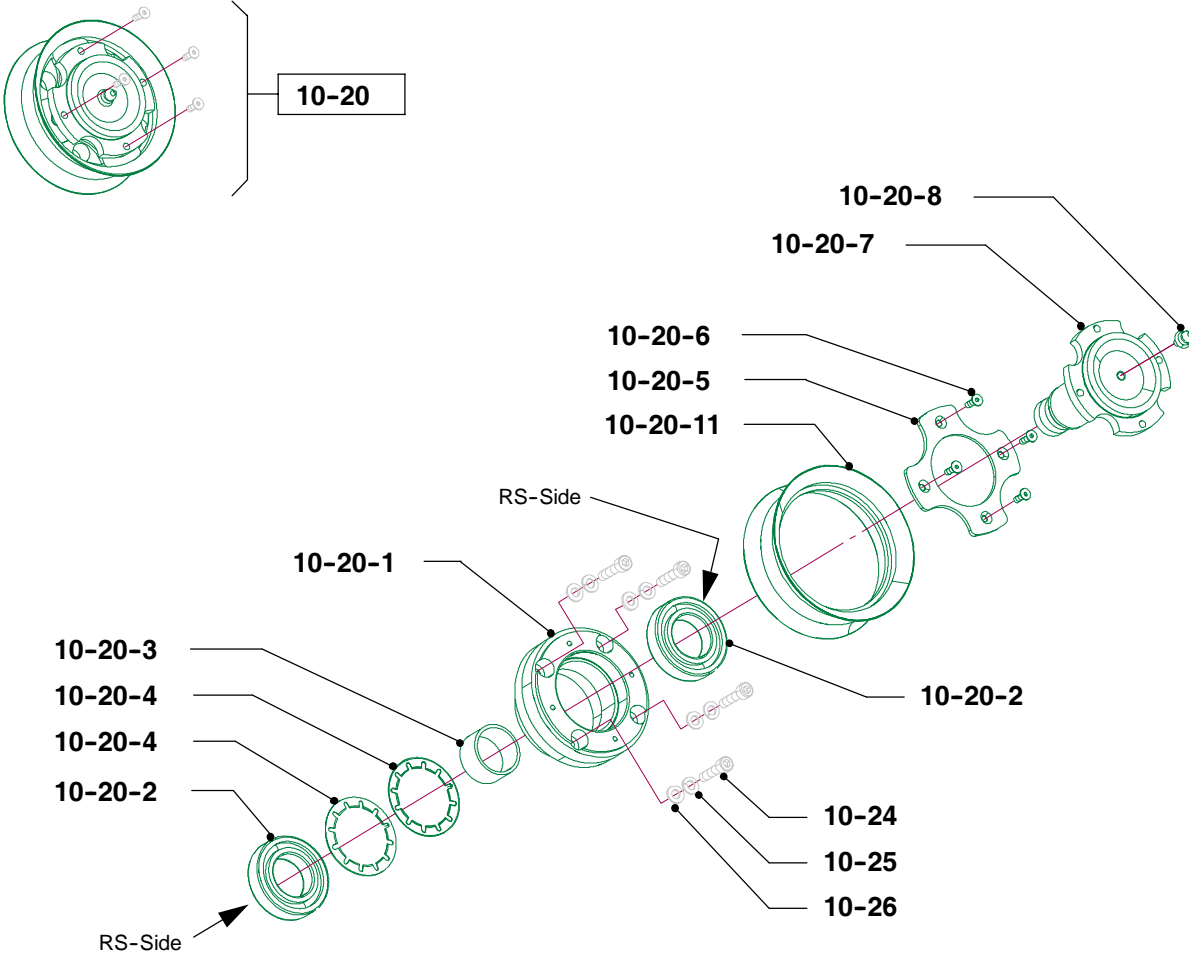


**4**



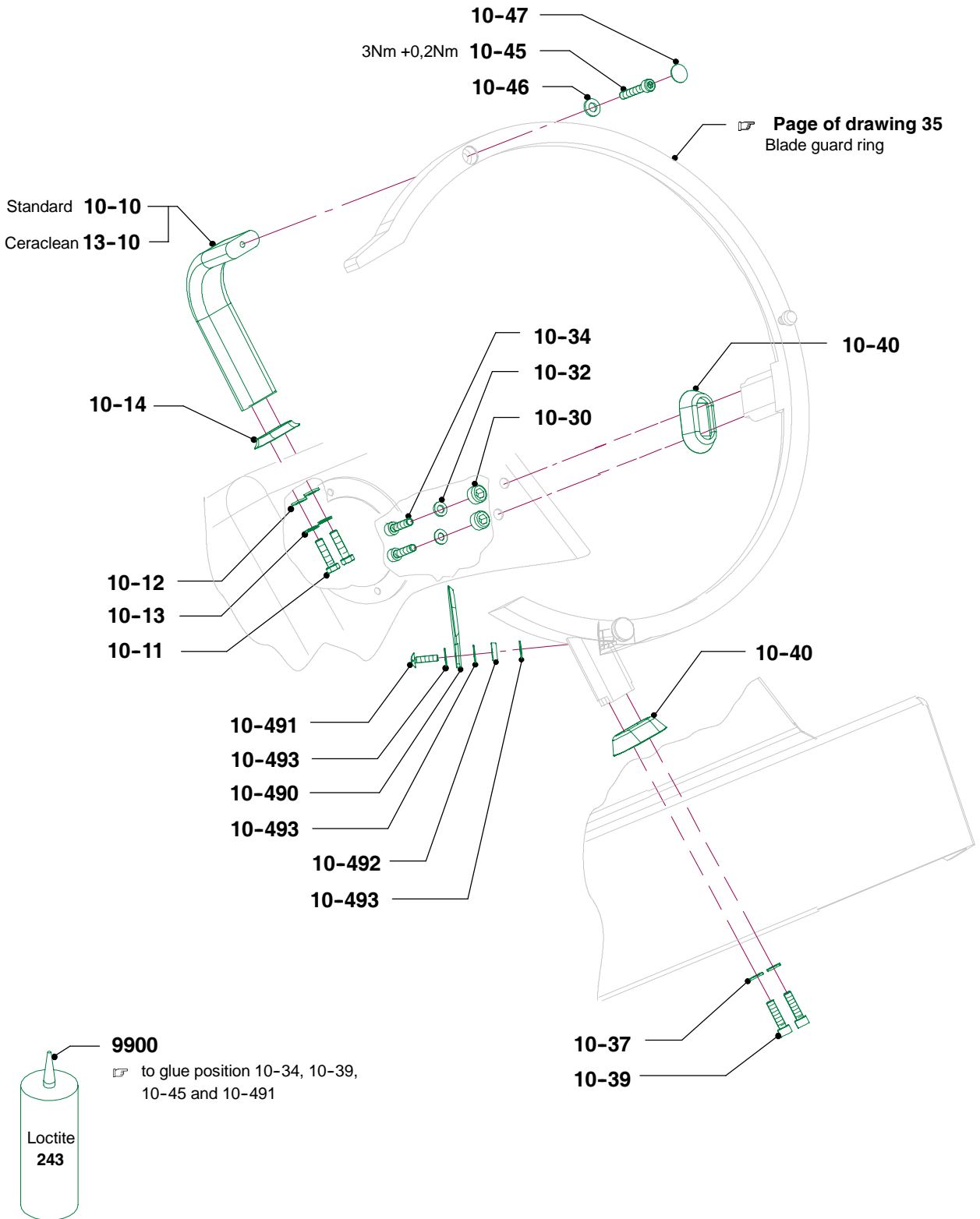
## Basic components

### Blade bearing press.



## Basic components

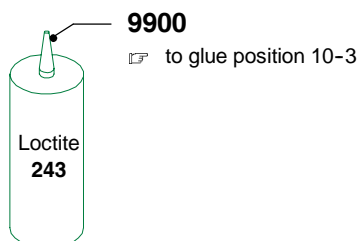
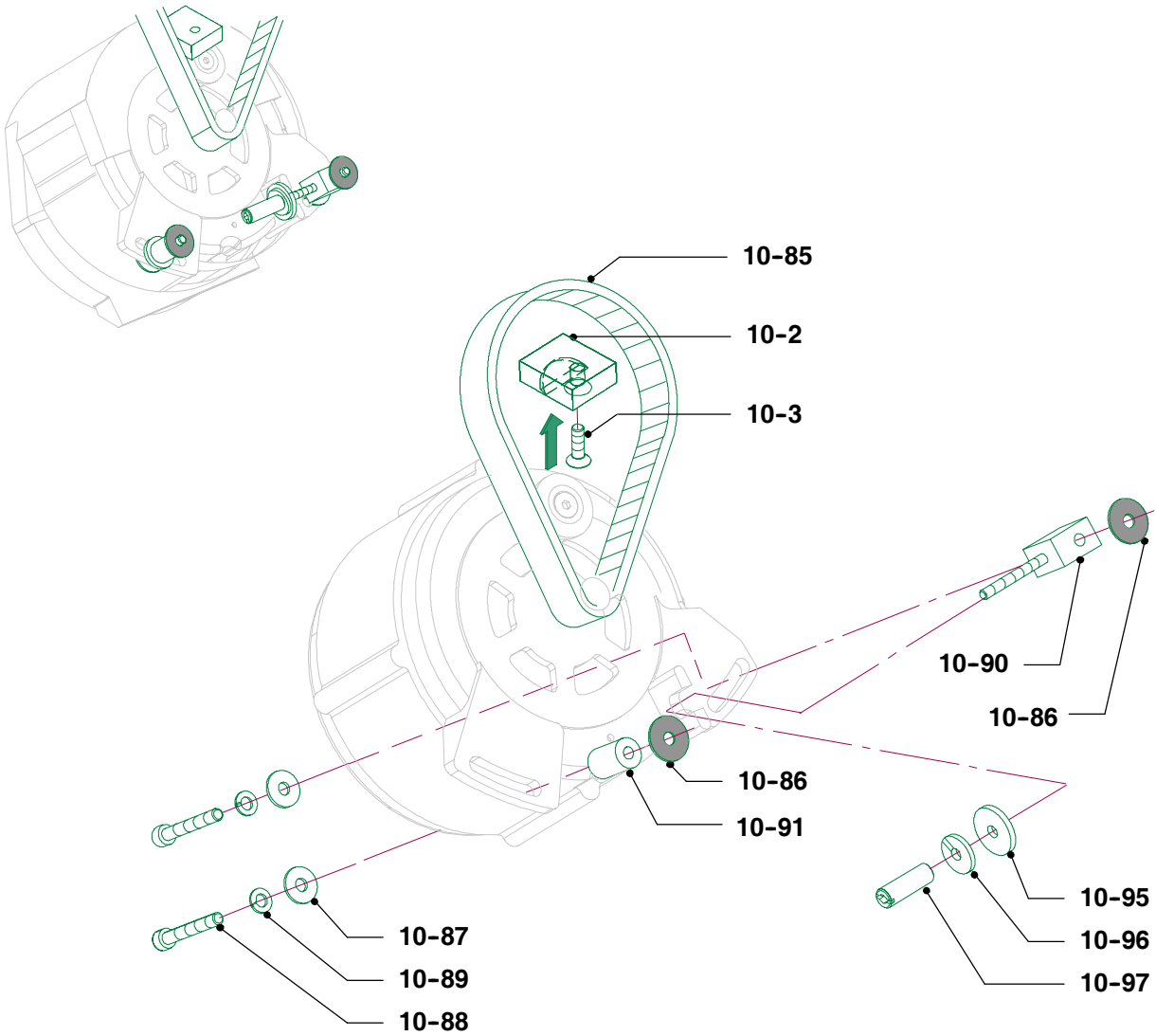
### Supporter for blade guard ring, deflector wing



**4**

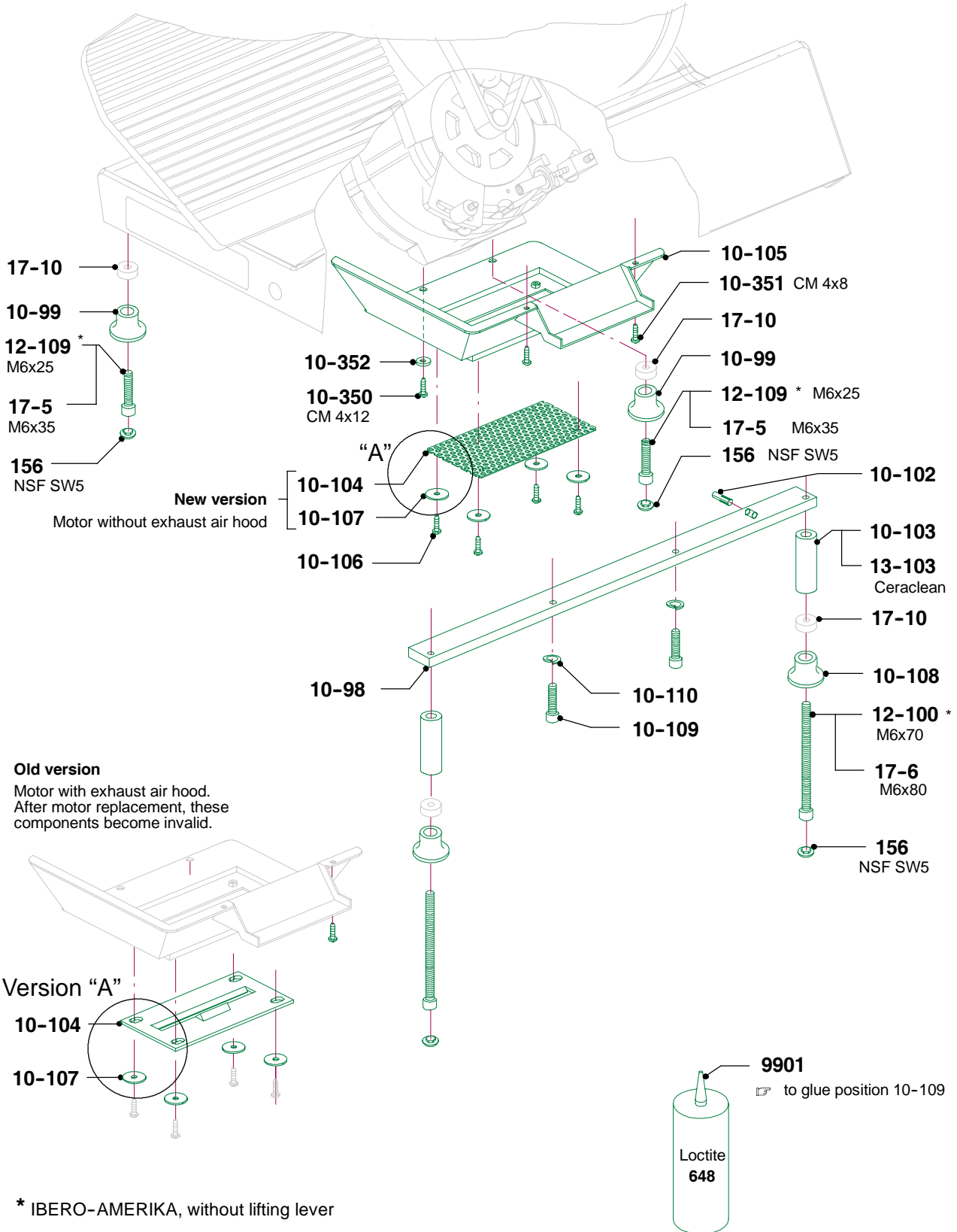
## Basic components

### Motor fastening and belt tension



# Basic components

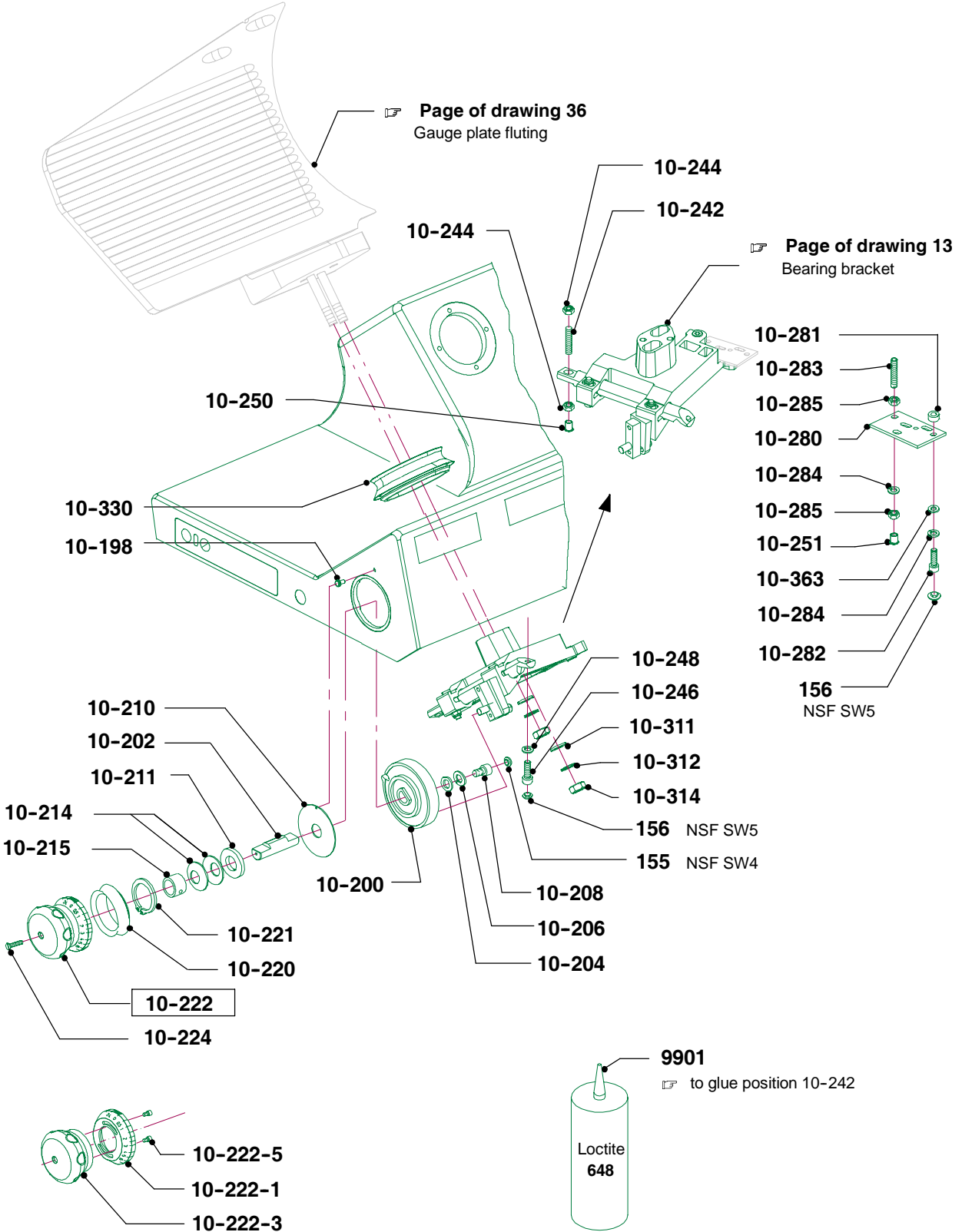
Motor cover, guide rail, supporting legs



**4**

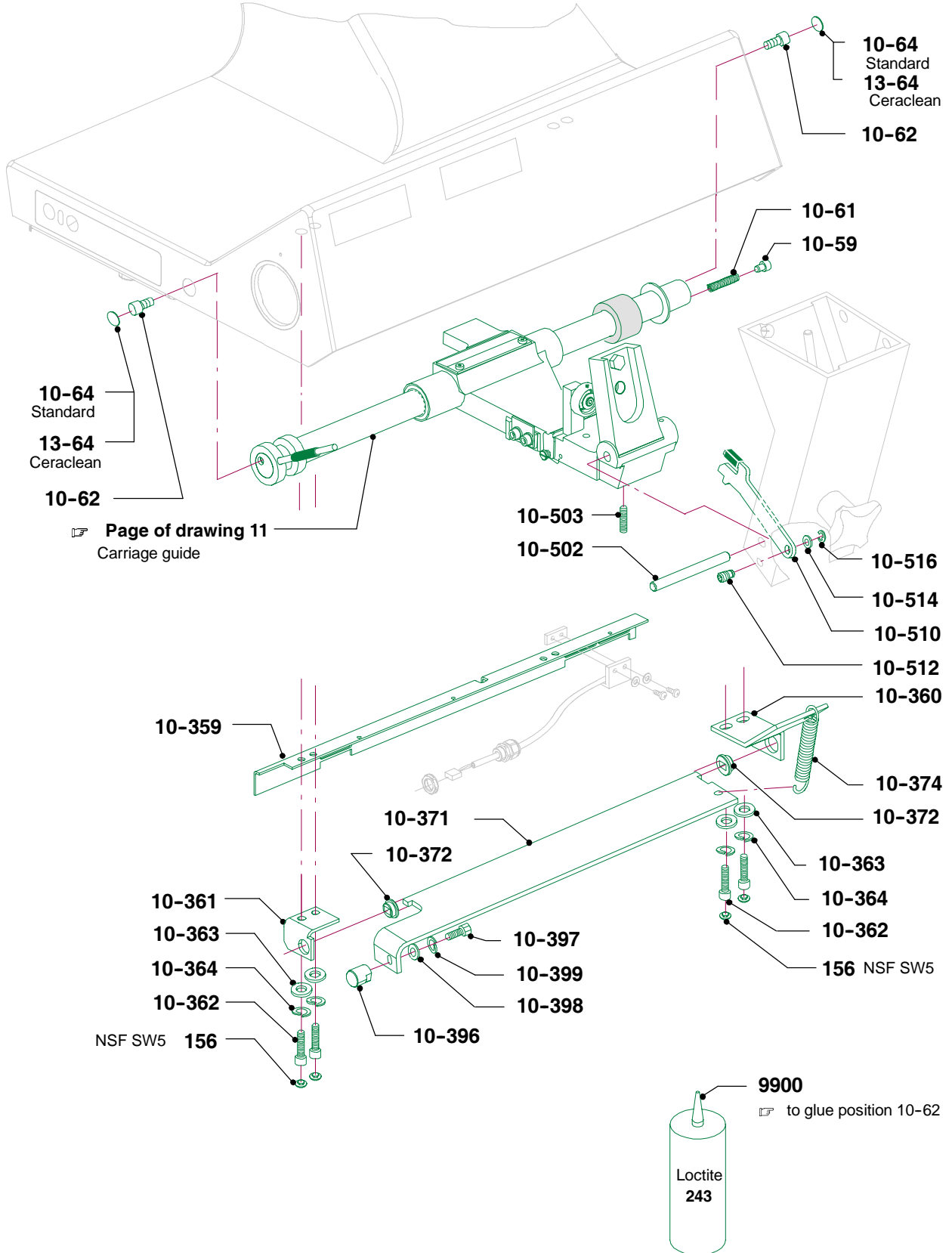
# Basic components

## Rotary knob and bearing bracket



# Basic components

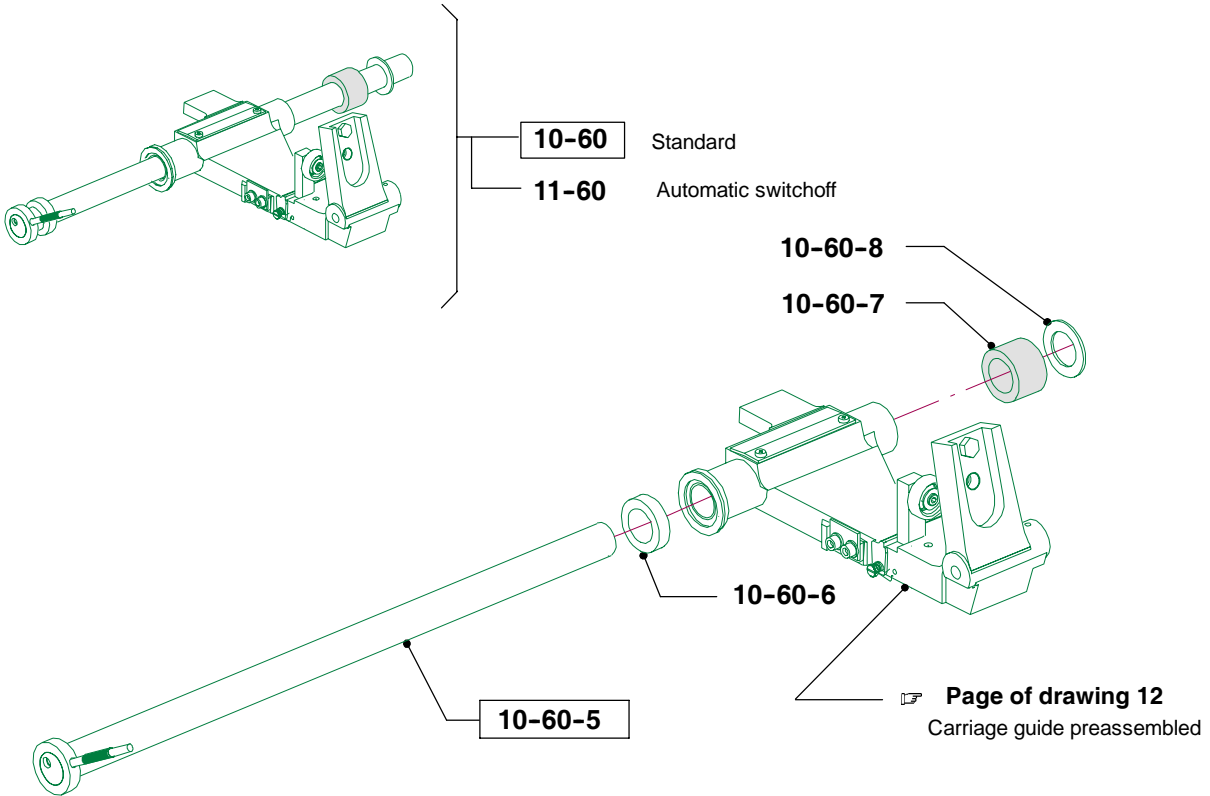
## Carriage guide, sensor support, rail, angle and locking slider



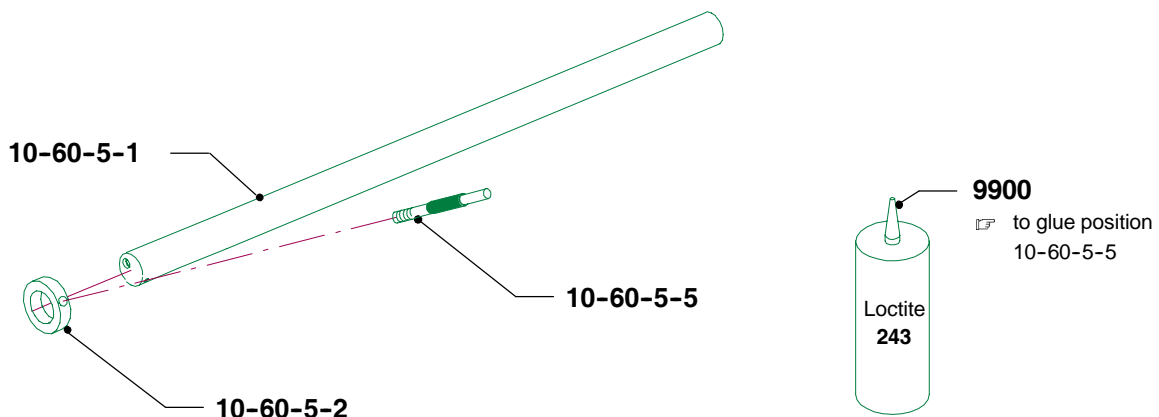
**4**

## Basic components

### Carriage guide cpl.



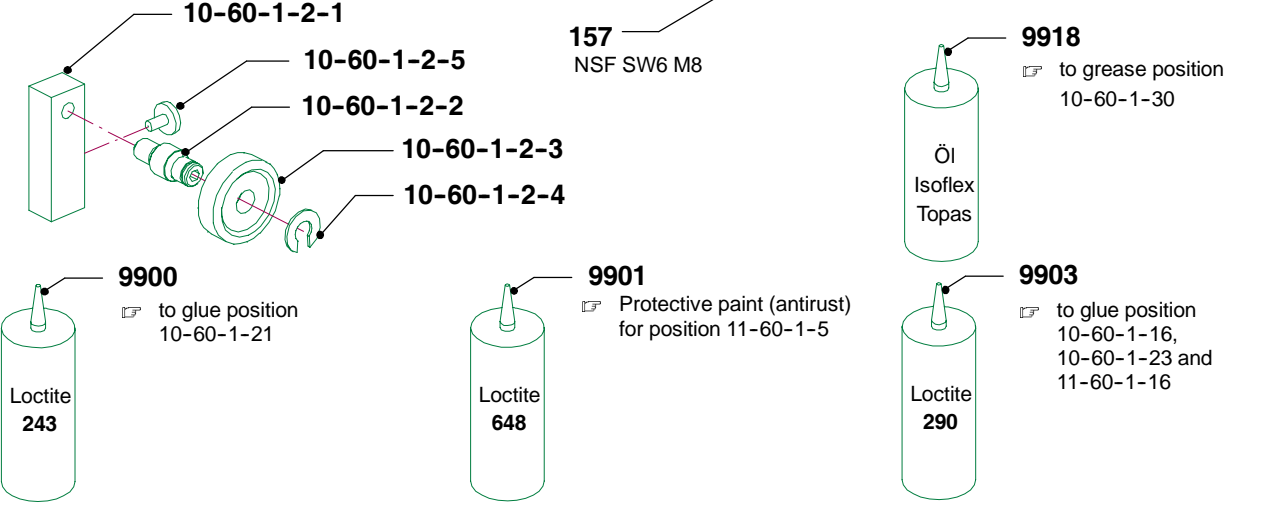
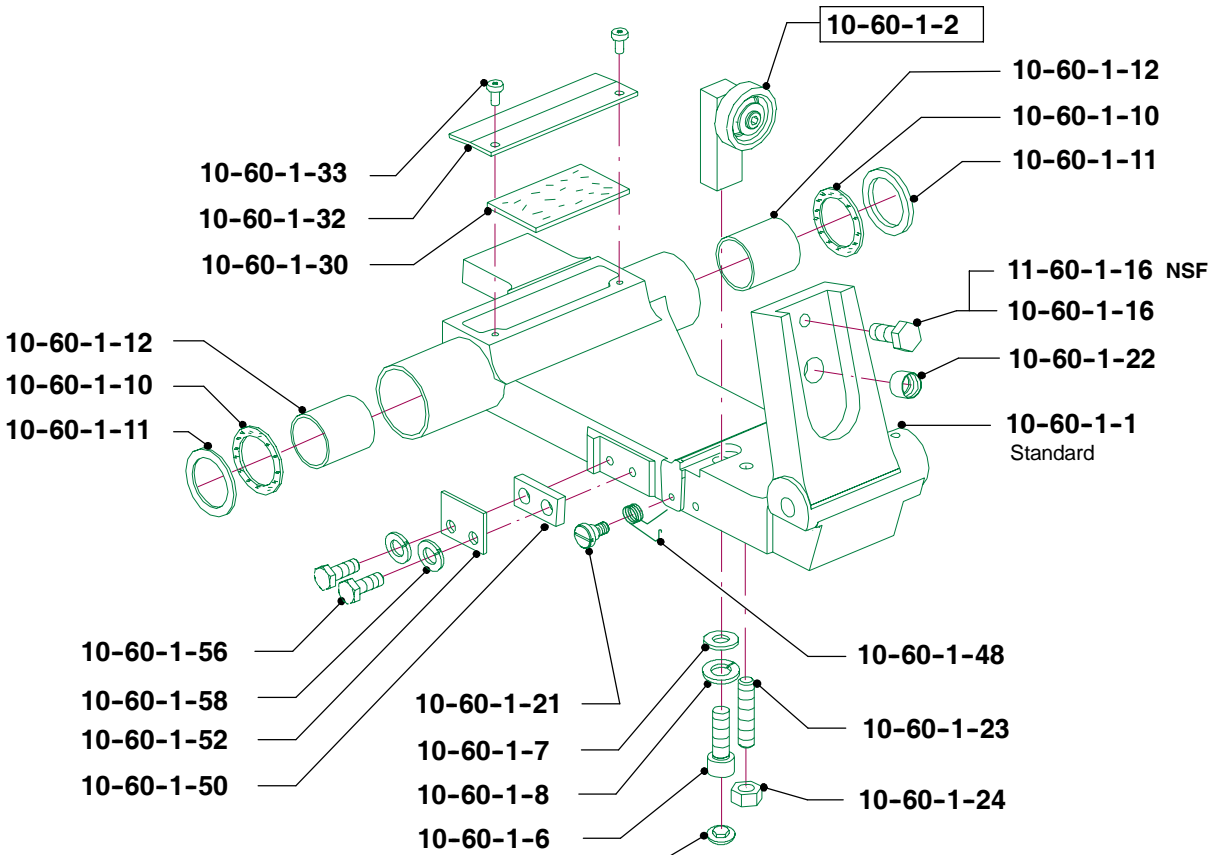
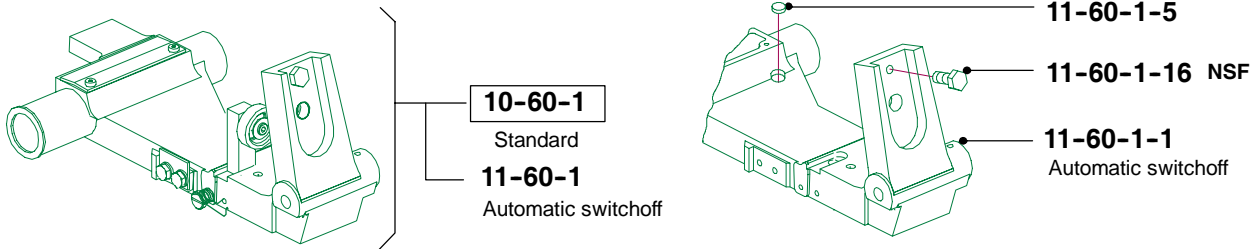
### Carriage shaft, preassembled



# Basic components

Carriage guide preassembled

Version for machines with automatic switchoff

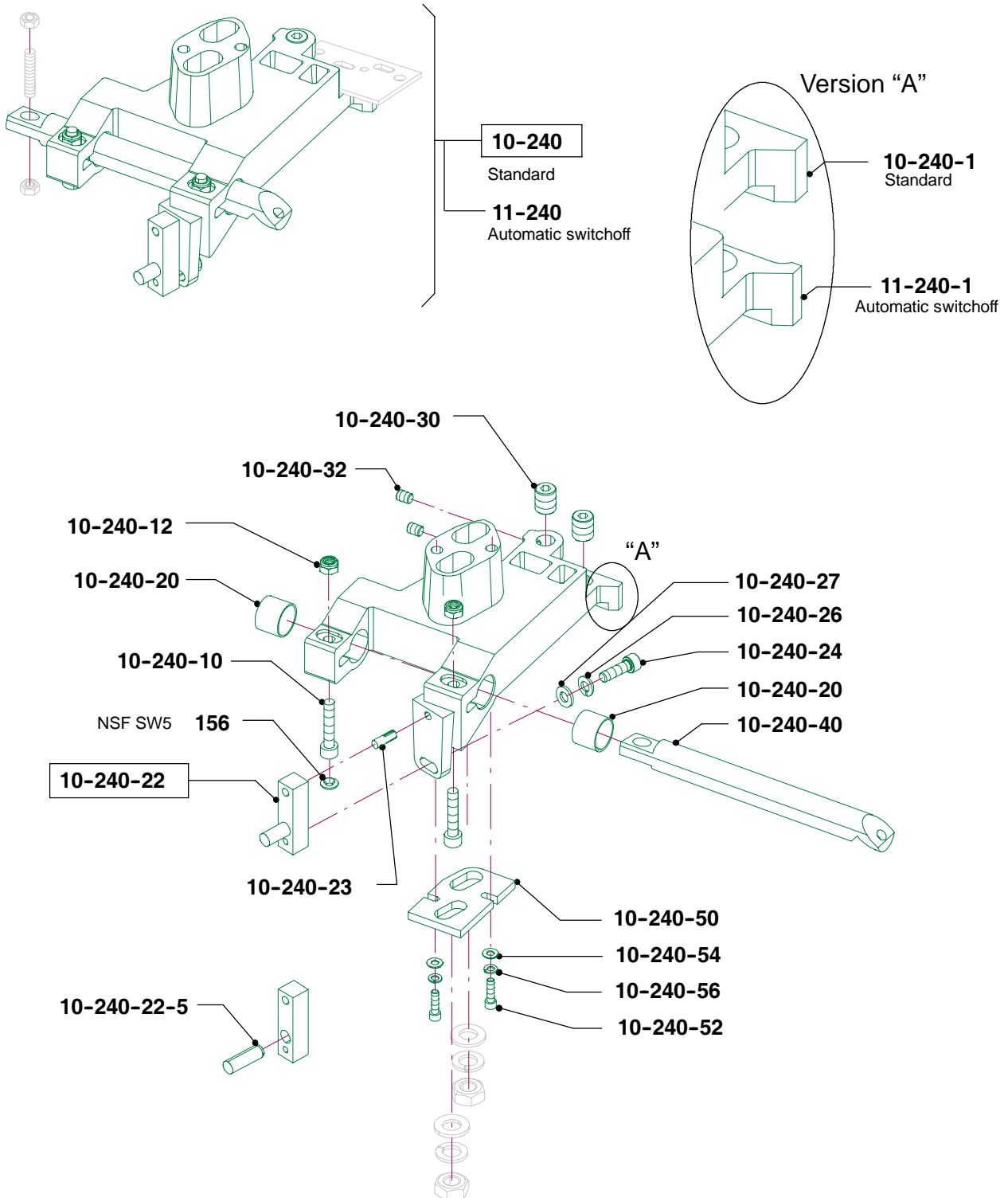


**4**



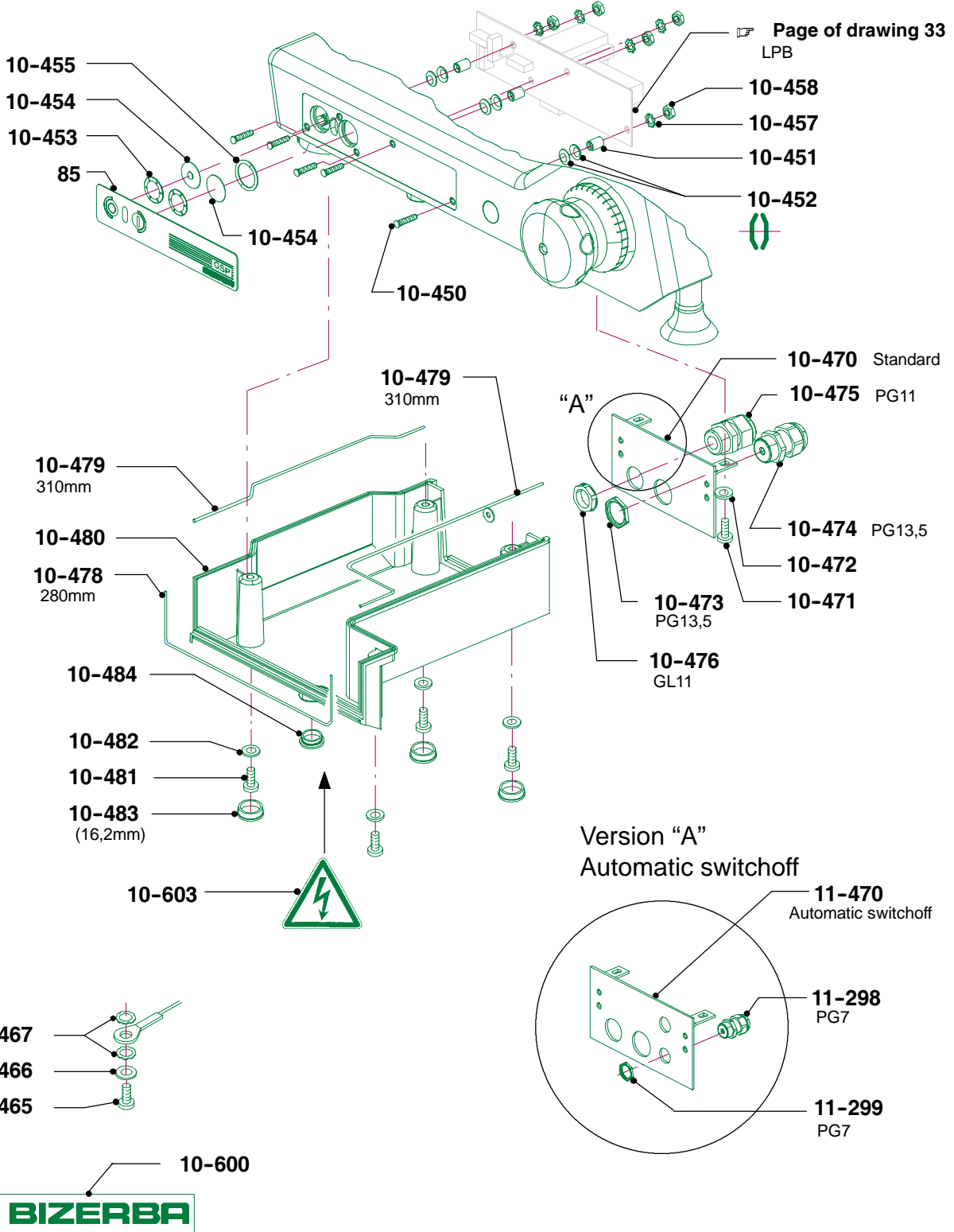
## Basic components

### Bearing bracket press.



# Basic components

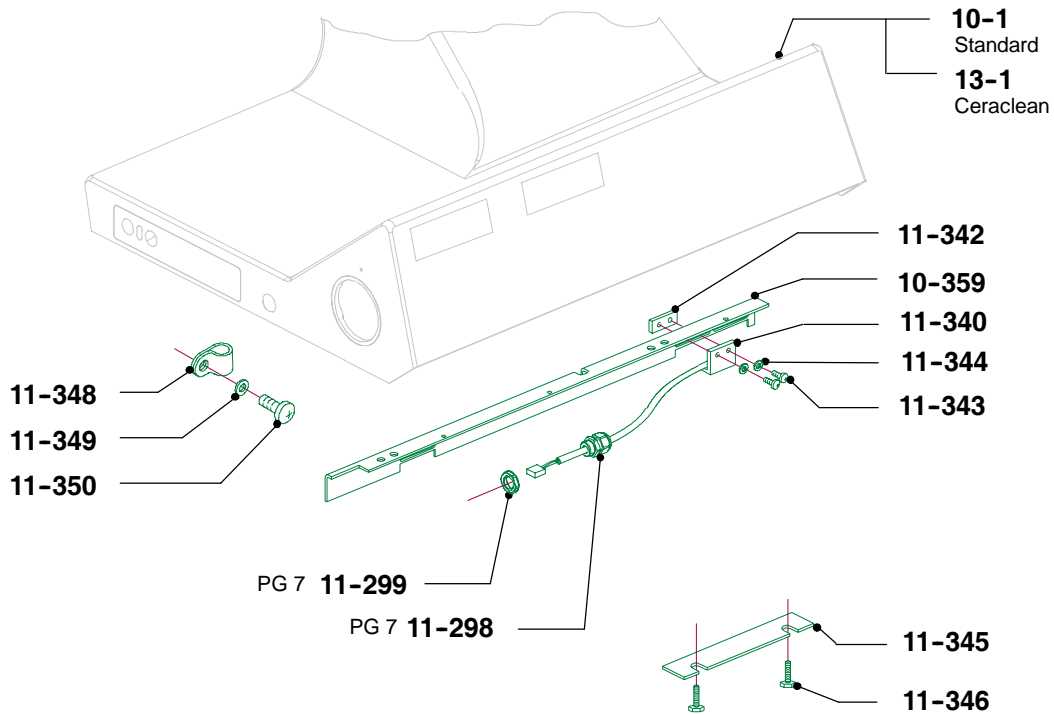
Switch cover, deco foil, accessories for LPB



**4**

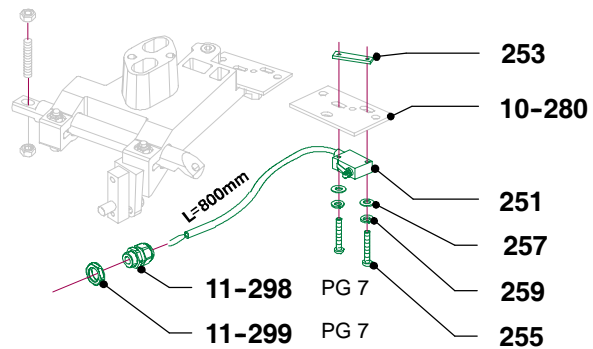
## Basic components

### Automatic switchoff

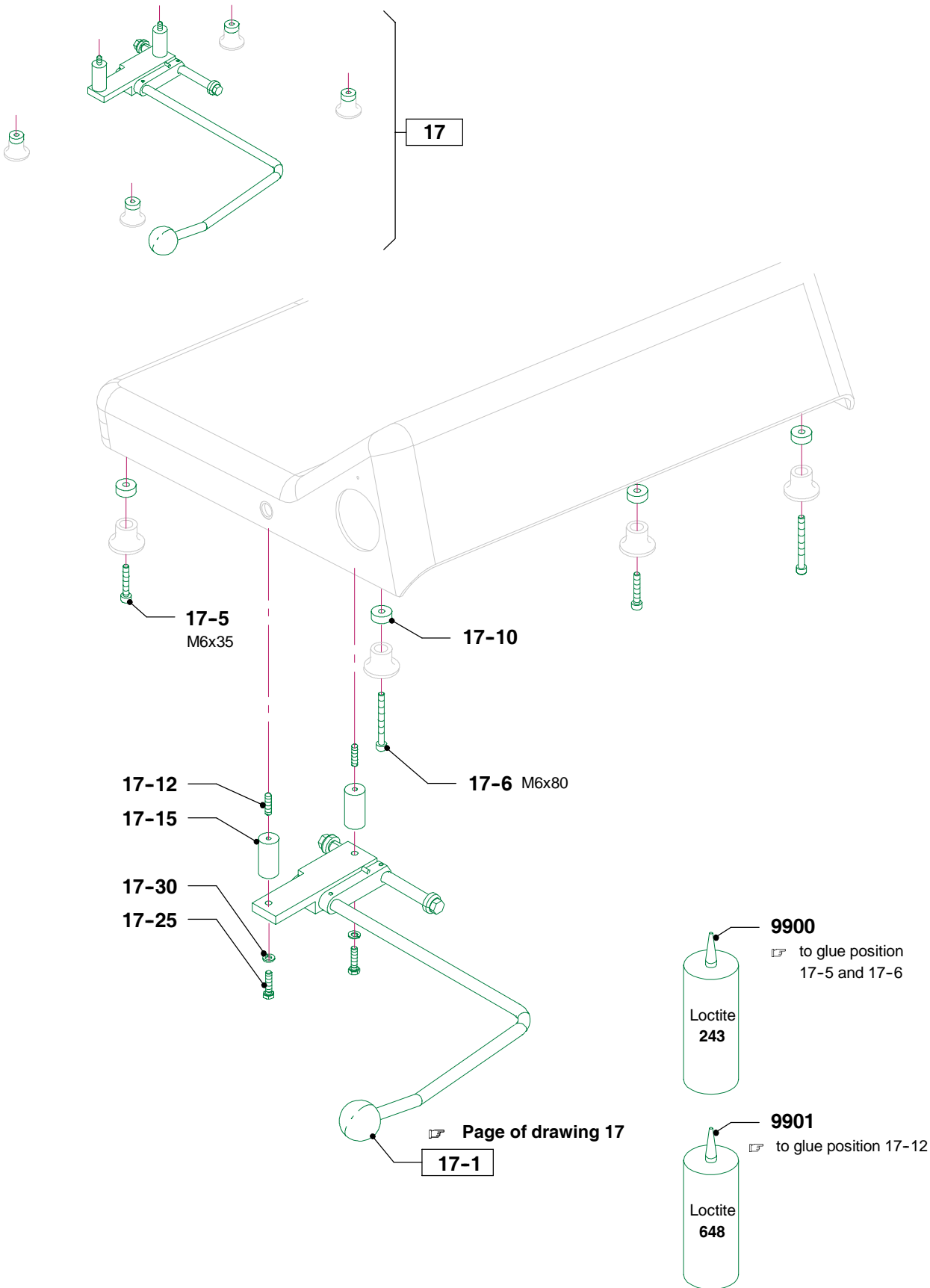


4

### Zero switch

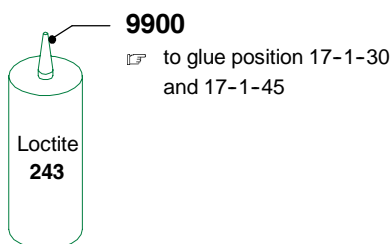
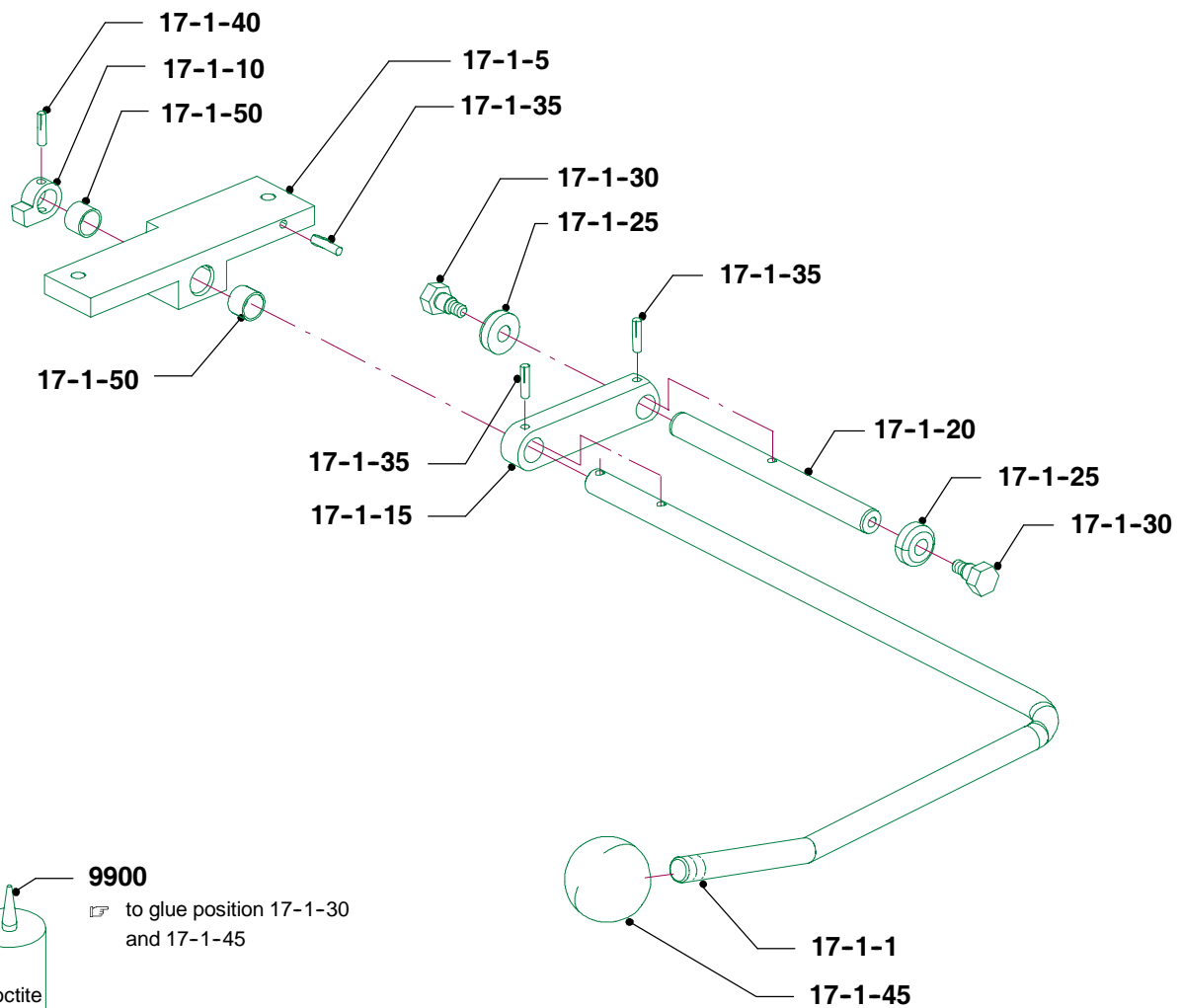
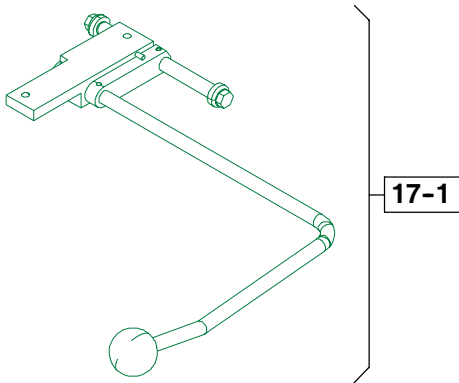


### Lifting lever



## Lifting lever

### Lifting device pre-assembled

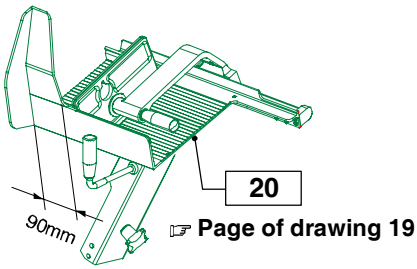


# Carriage

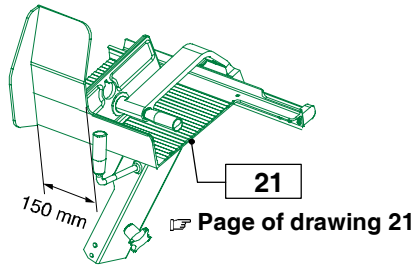
## Carriage overview

### Carriage inclination 25°, High

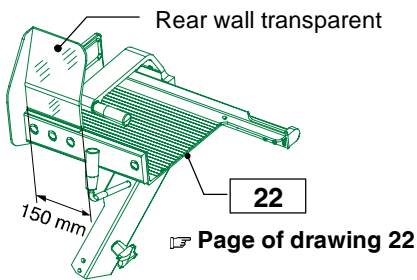
Carriage alu. welded,  
1pc, L=90 mm



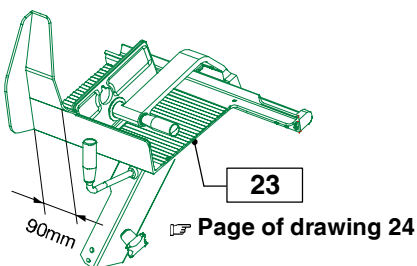
Carriage alu. welded,  
1pc, L=150 mm



Carriage 25 H transparent,  
L=150 mm

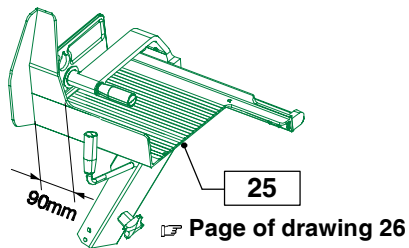


Carriage alu. welded,  
1pc, L=90 mm, Ceraclean

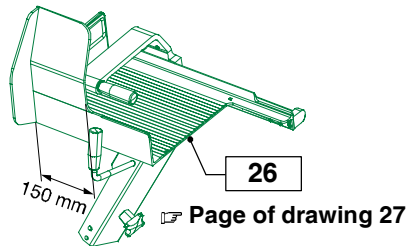


### Carriage inclination 25°, Low

Carriage alu. welded,  
1pc, L=90 mm

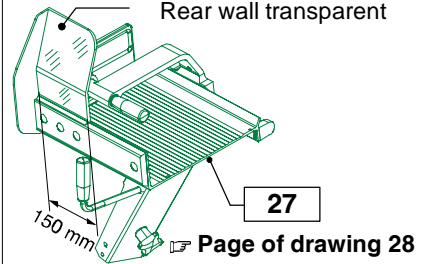


Carriage alu. welded,  
1pc, L=150 mm



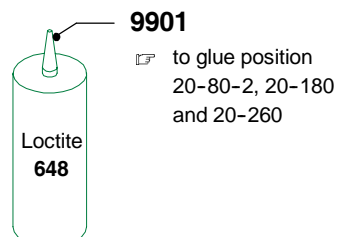
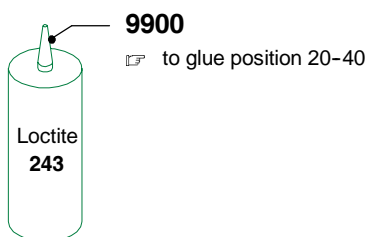
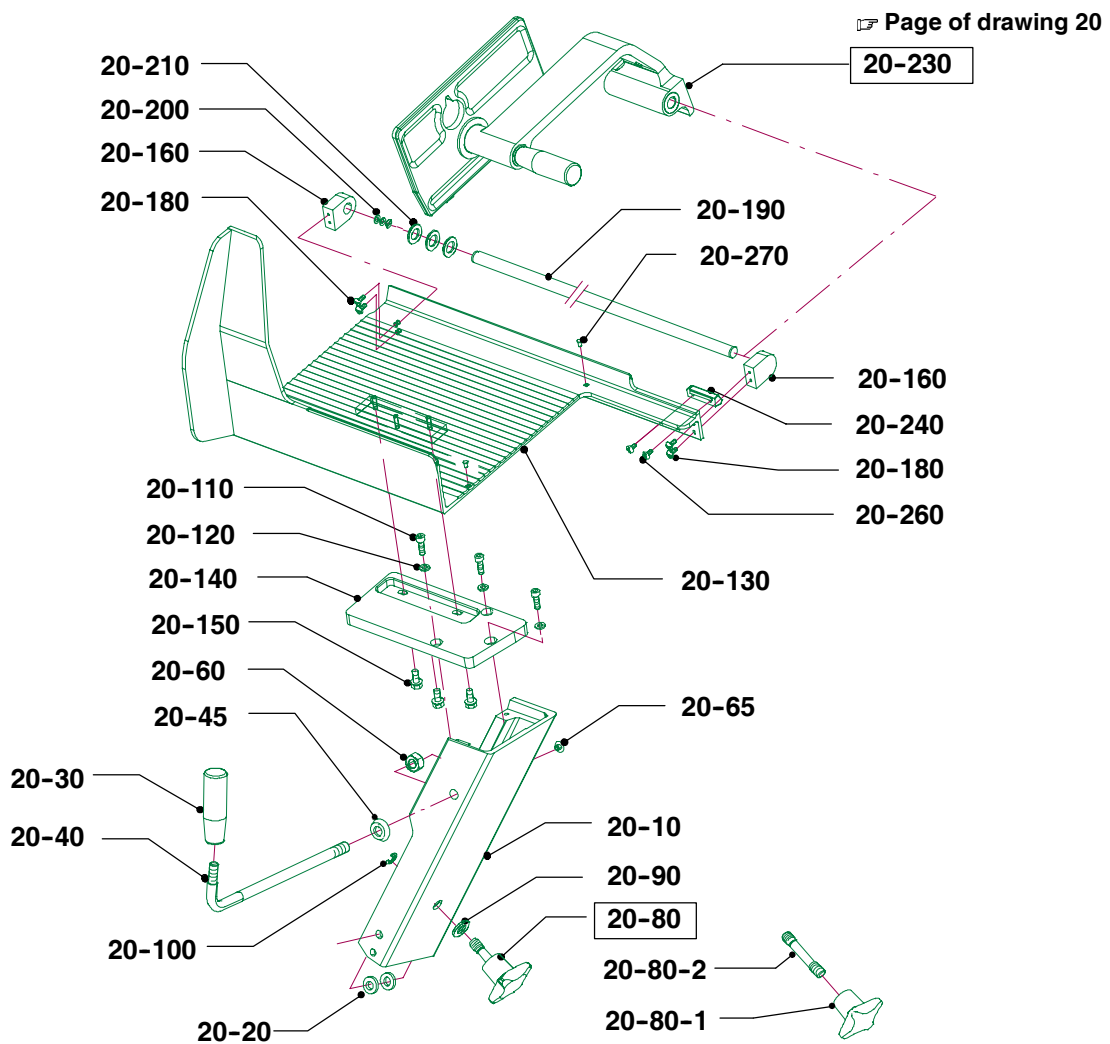
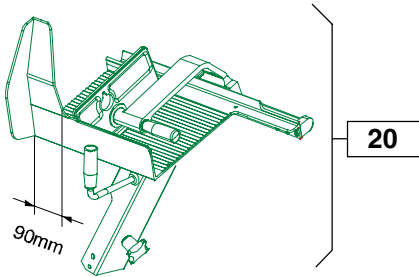
### Carriage inclination 18°, Low

Carriage transparent,  
L=150 mm, Ceraclean  
Rear wall transparent



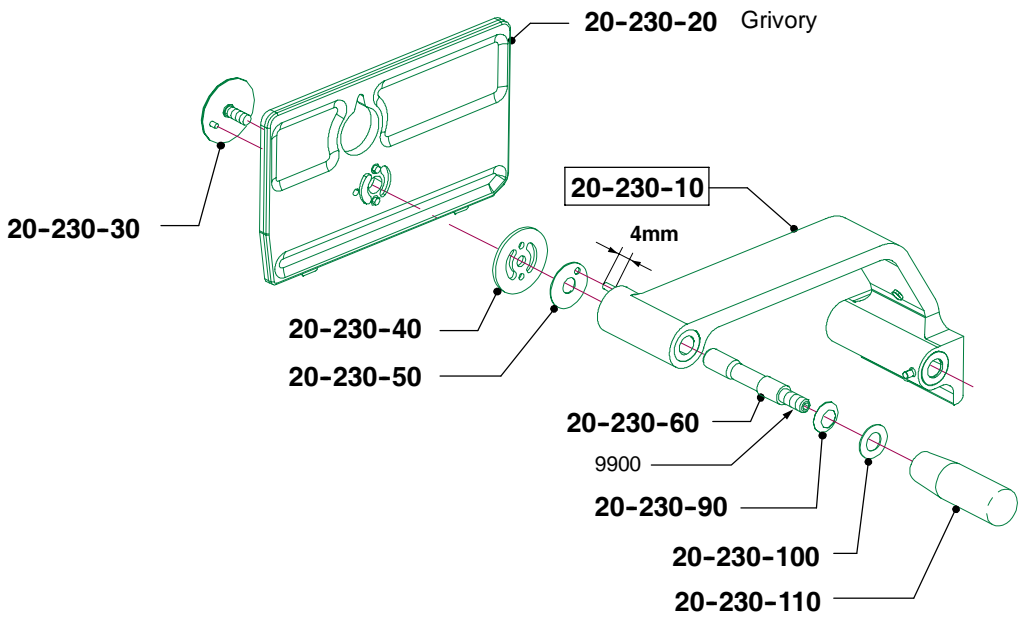
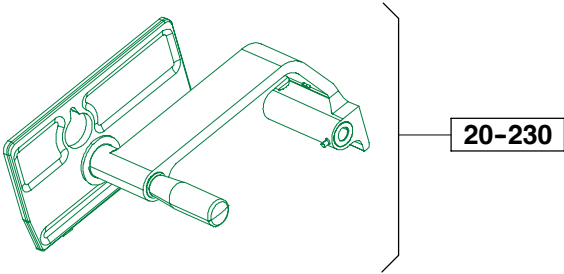
## Carriage

Carriage alu. welded, 1pc, 25 High, L=90mm

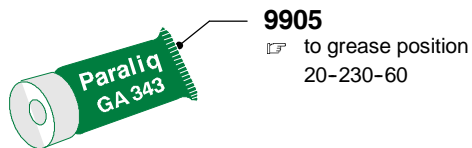
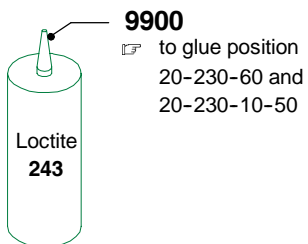
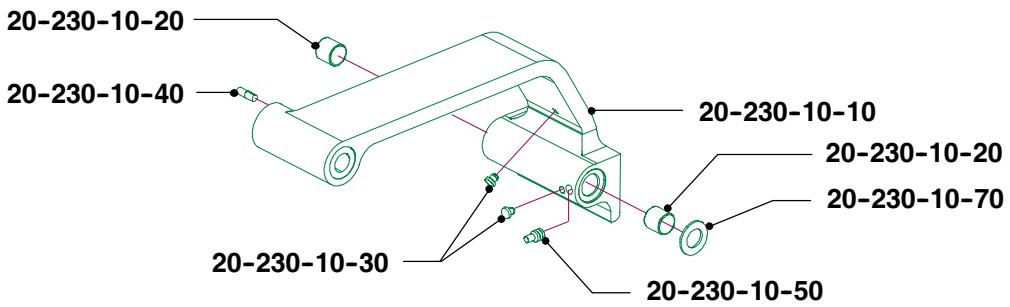


# Carriage

## Slider protection (grivory) and lever



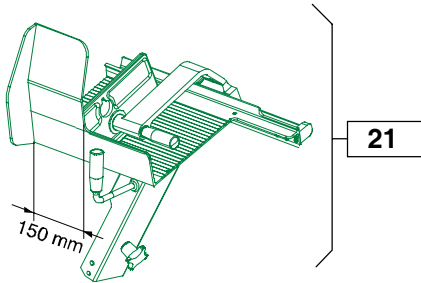
## Lever pre assembled





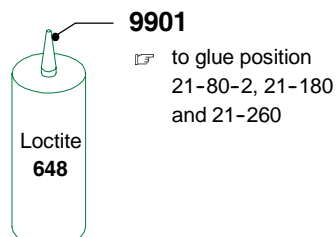
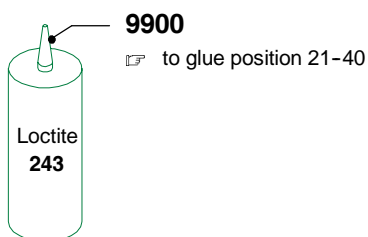
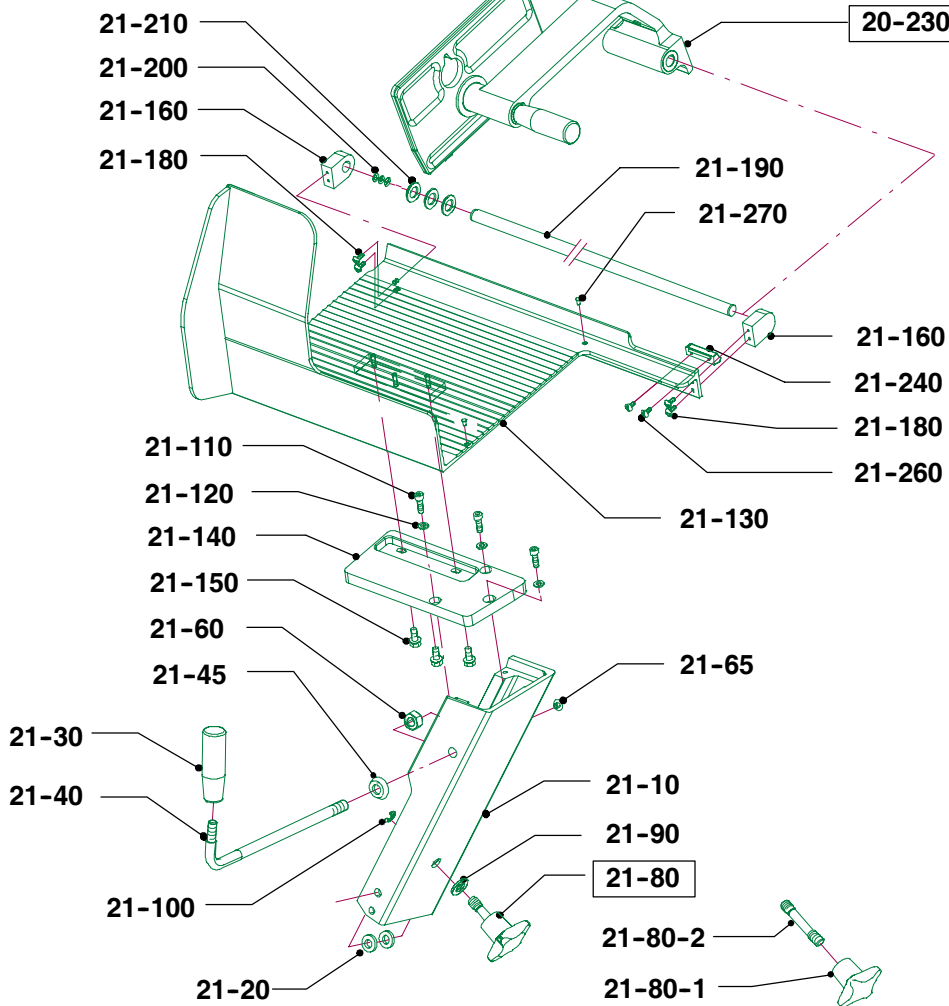
# Carriage

Carriage alu. welded, 1pc, 25 High, L=150mm



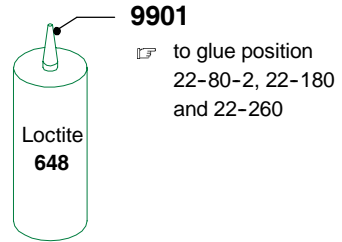
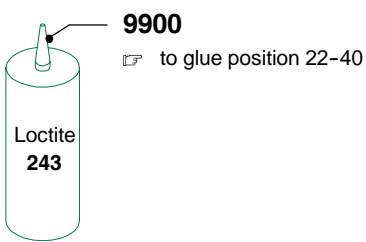
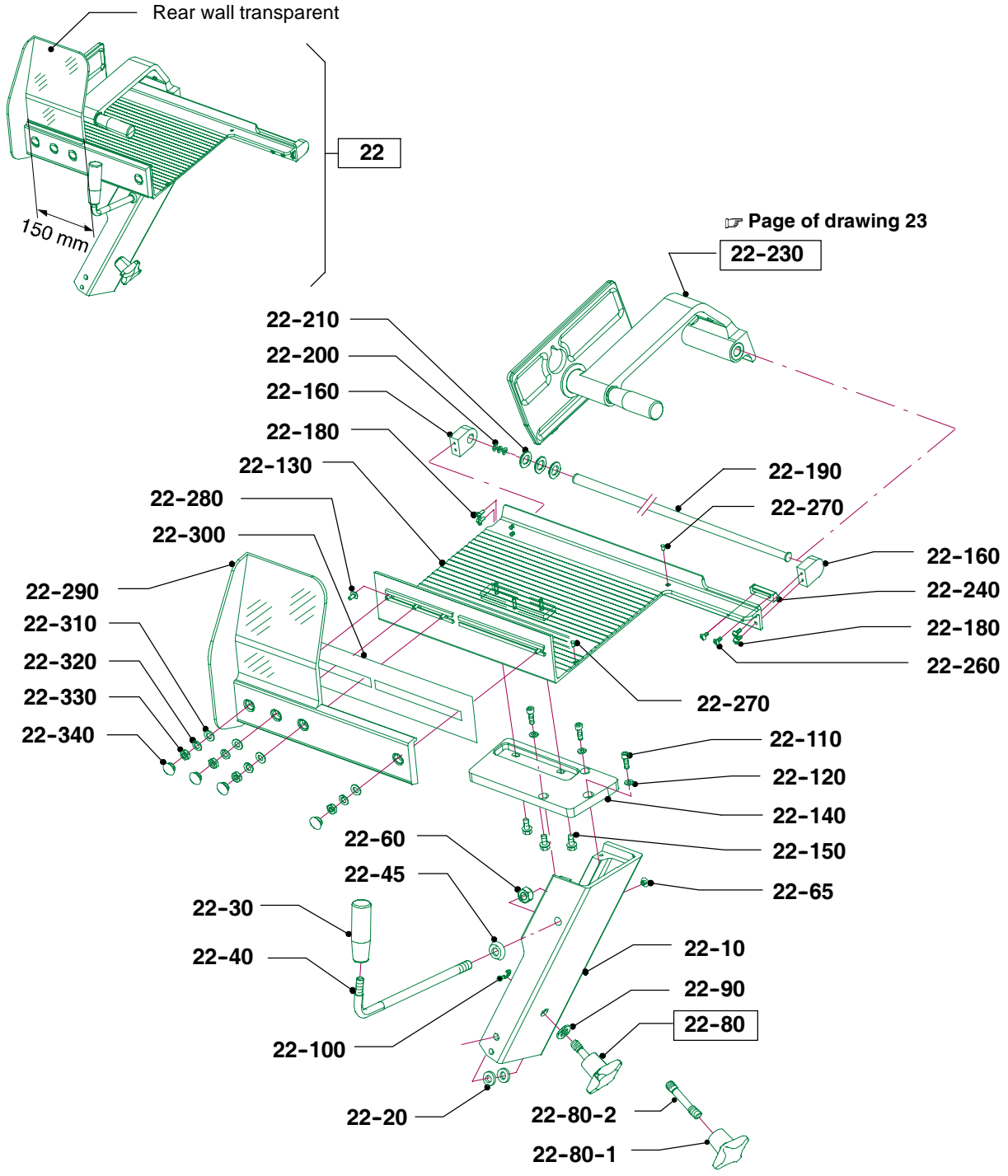
Page of drawing 20

20-230



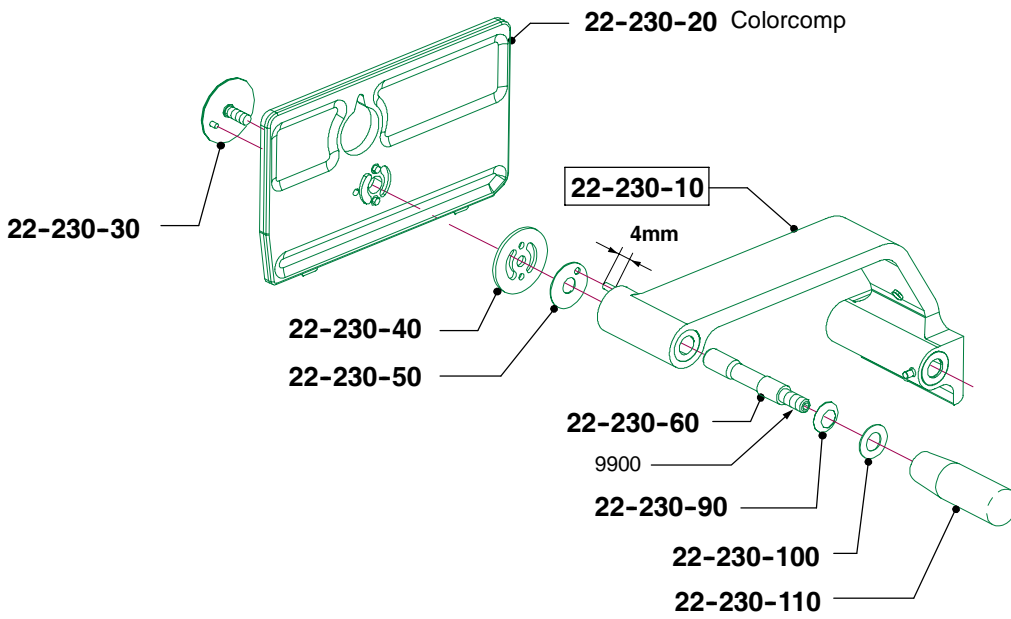
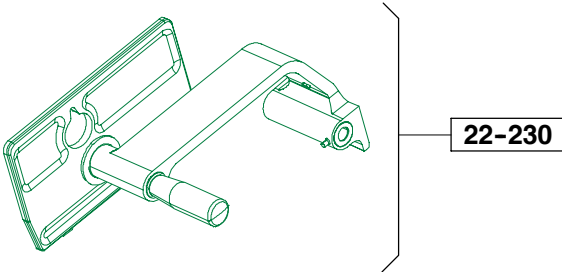
# Carriage

## Carriage 25 High, transparent, L=150mm

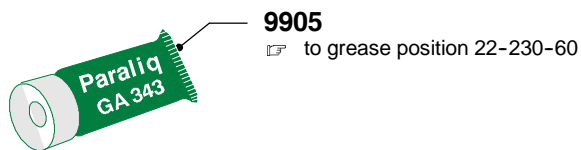
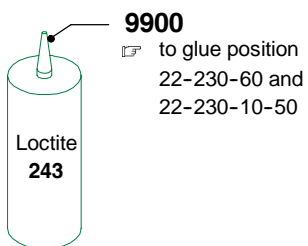
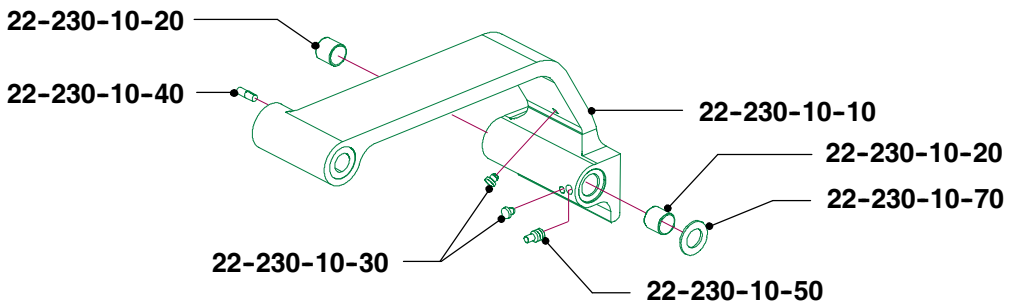


# Carriage

## Slider protection (Colorcomp) and lever

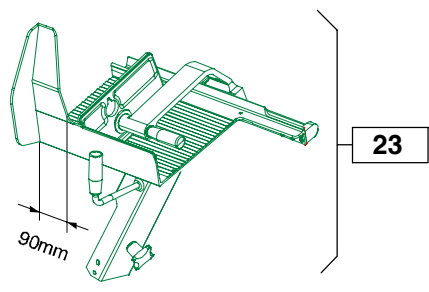


## Lever pre assembled

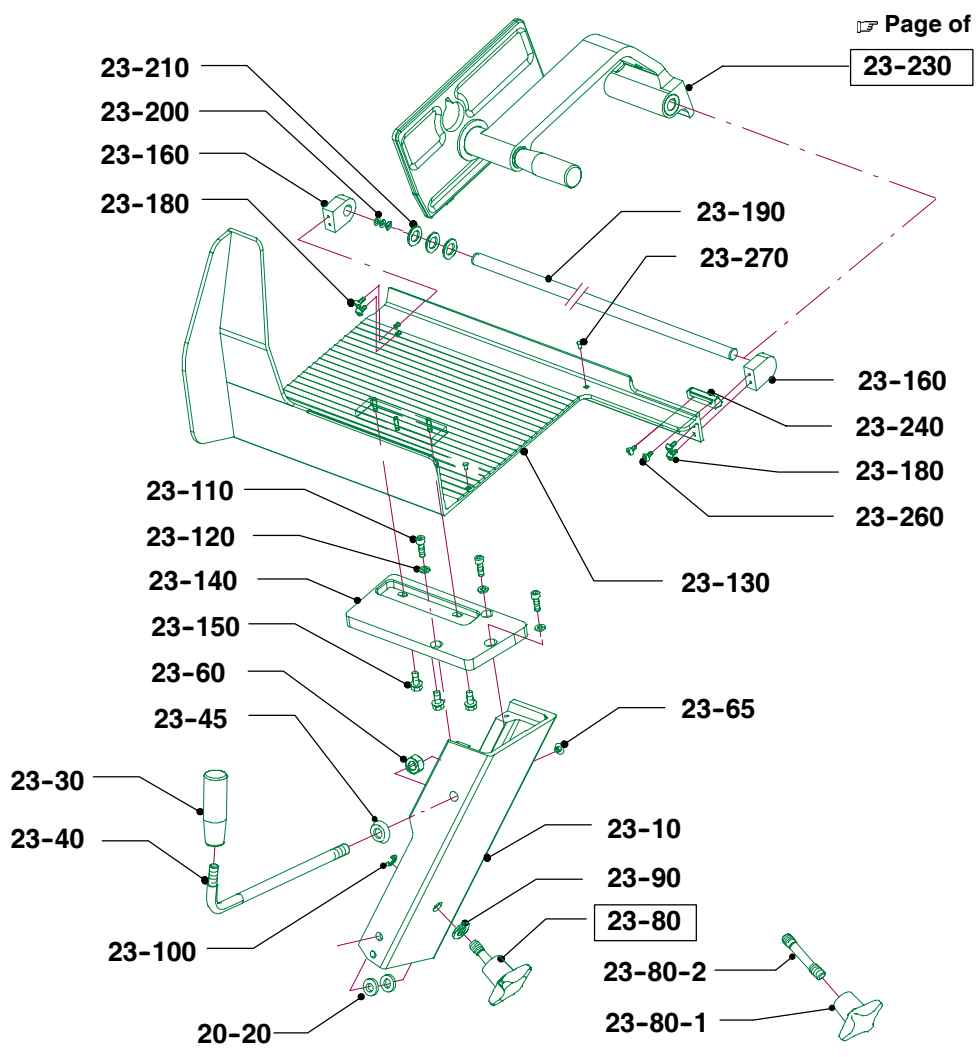


# Carriage

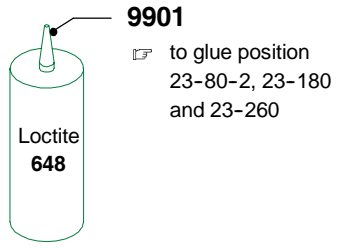
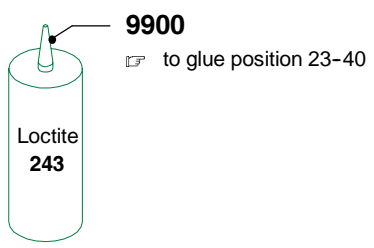
Carriage alu. welded, 1pc, 25 High, L=90mm, Ceraclean



Page of drawing 25

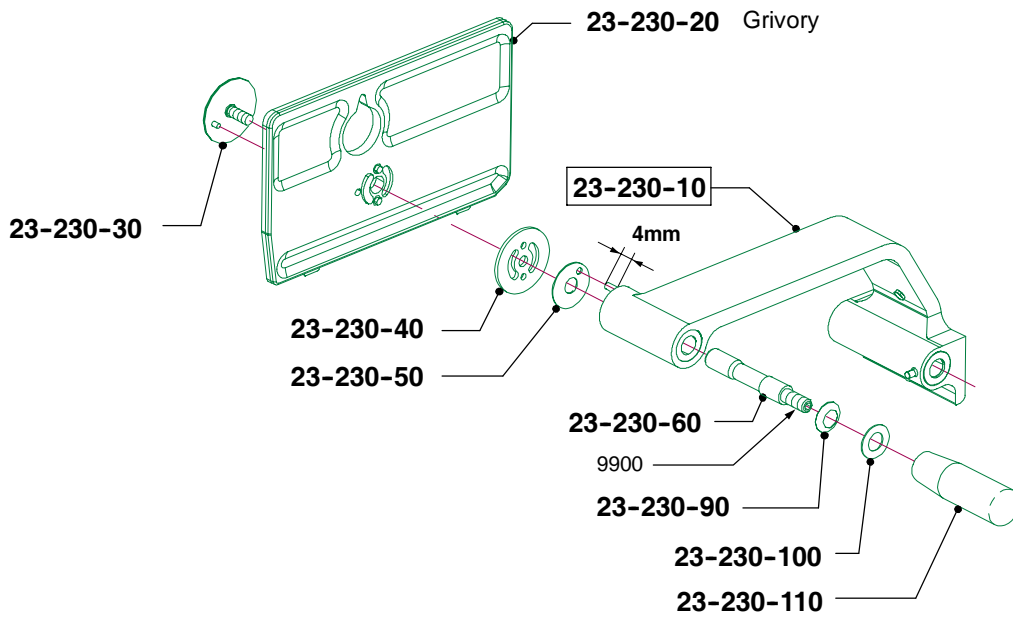
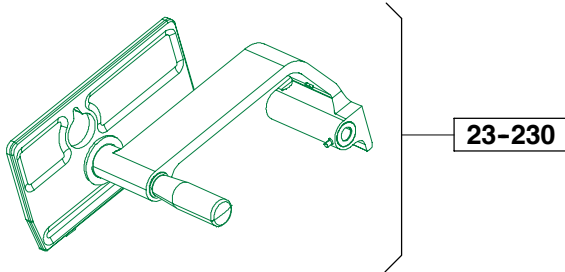


4

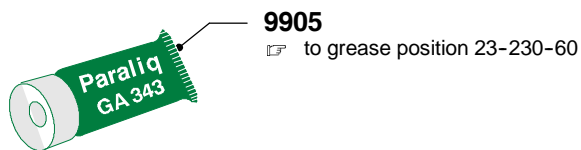
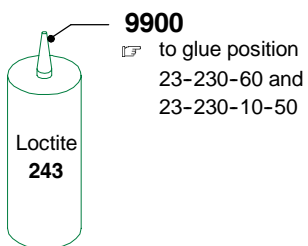
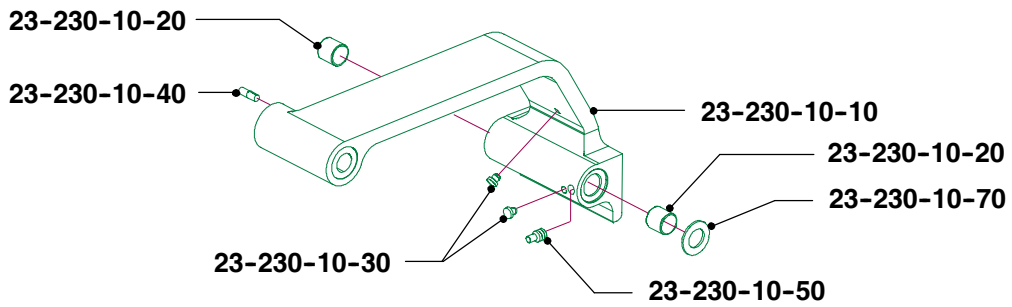


# Carriage

## Slider protection (grivory) and lever, Ceraclean



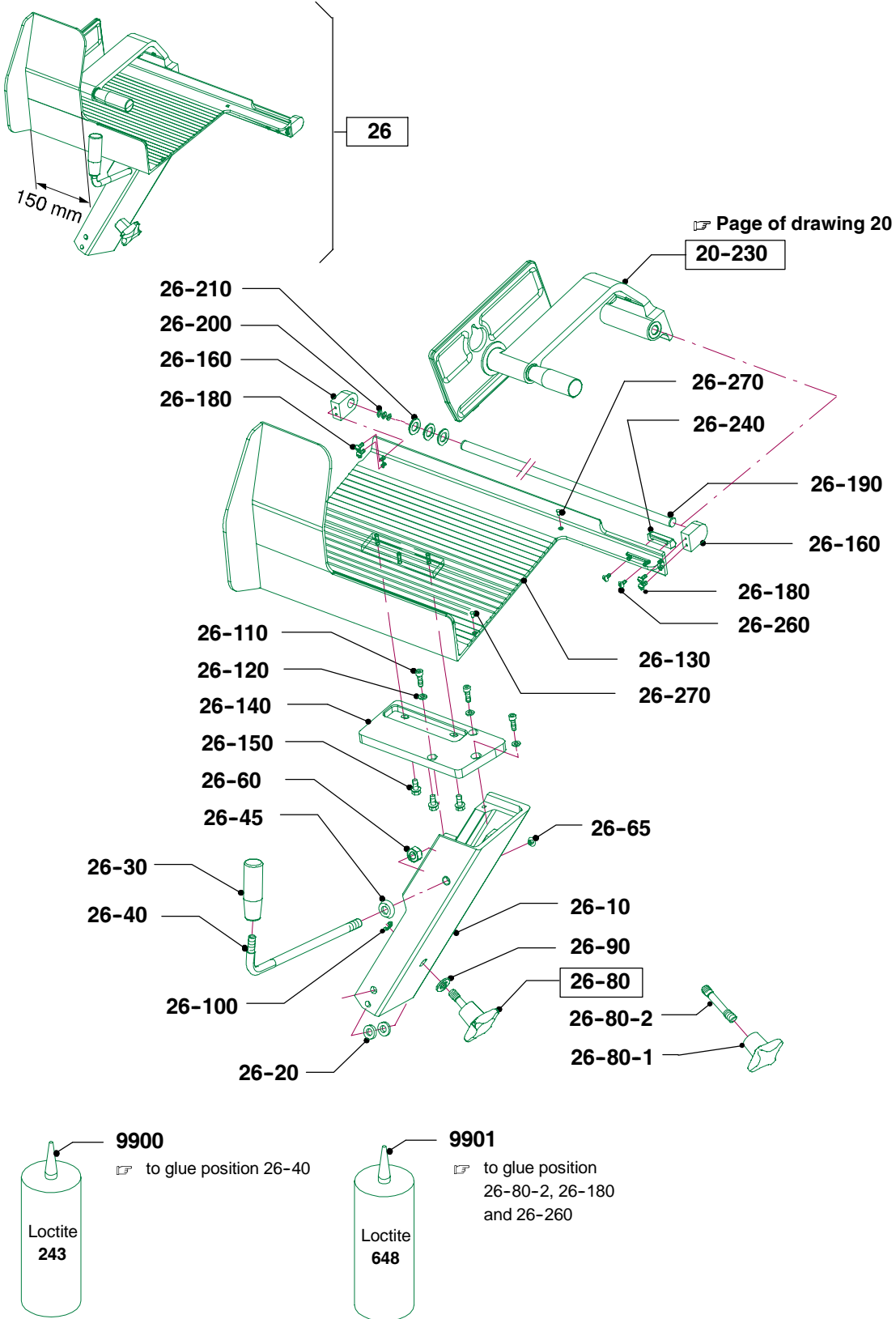
## Lever pre assembled, Ceraclean





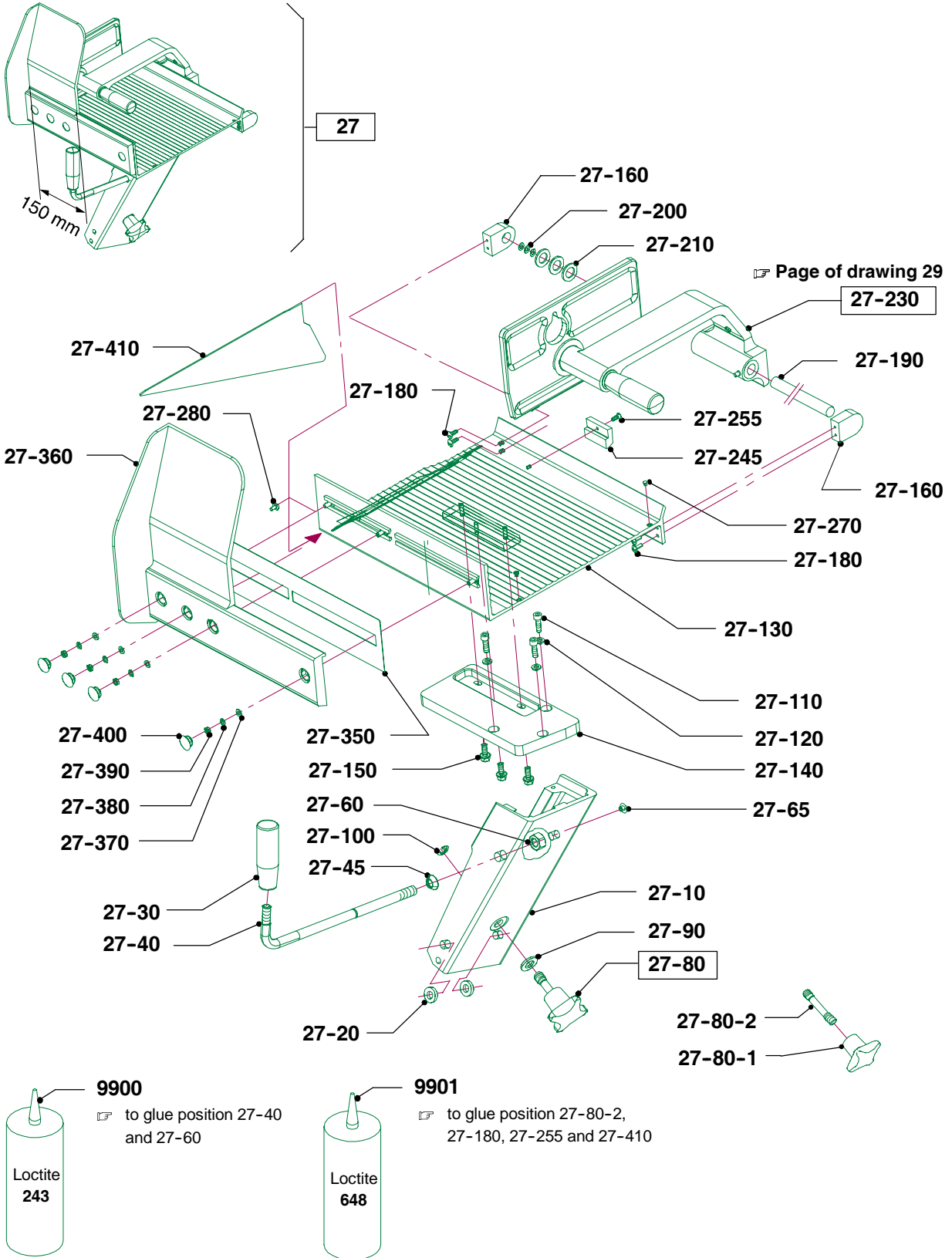
# Carriage

Carriage alu. welded, 1pc, 25 Low, L=150mm



# Carriage

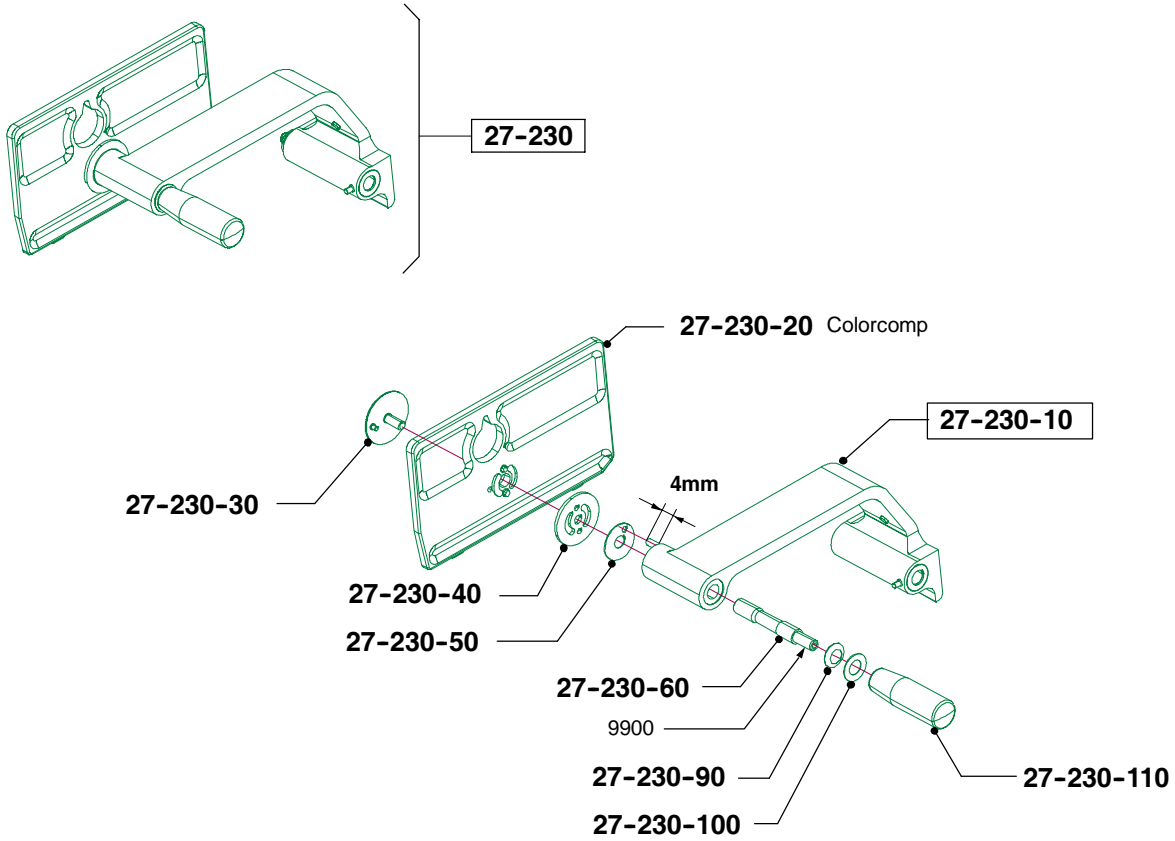
Carriage 18 Low, transparent, L=150 mm, Ceraclean





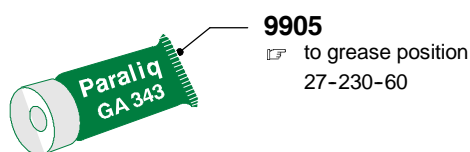
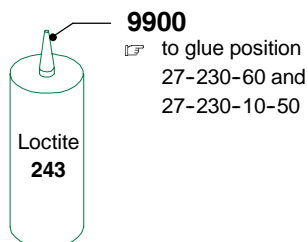
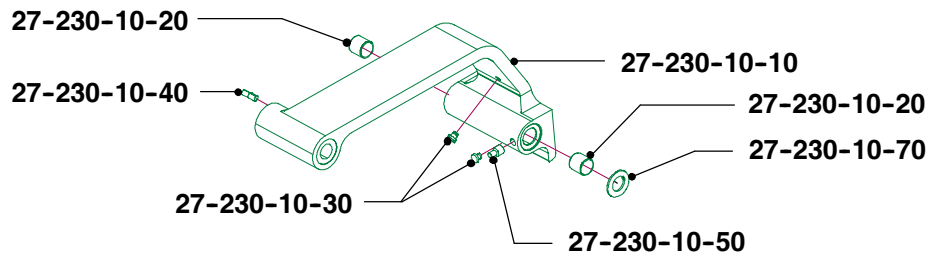
## Carriage

### Slider protection transparent and lever, Ceraclean

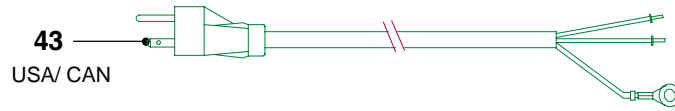
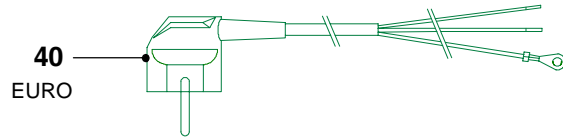


**4**

### Lever pre assembled, Ceraclean

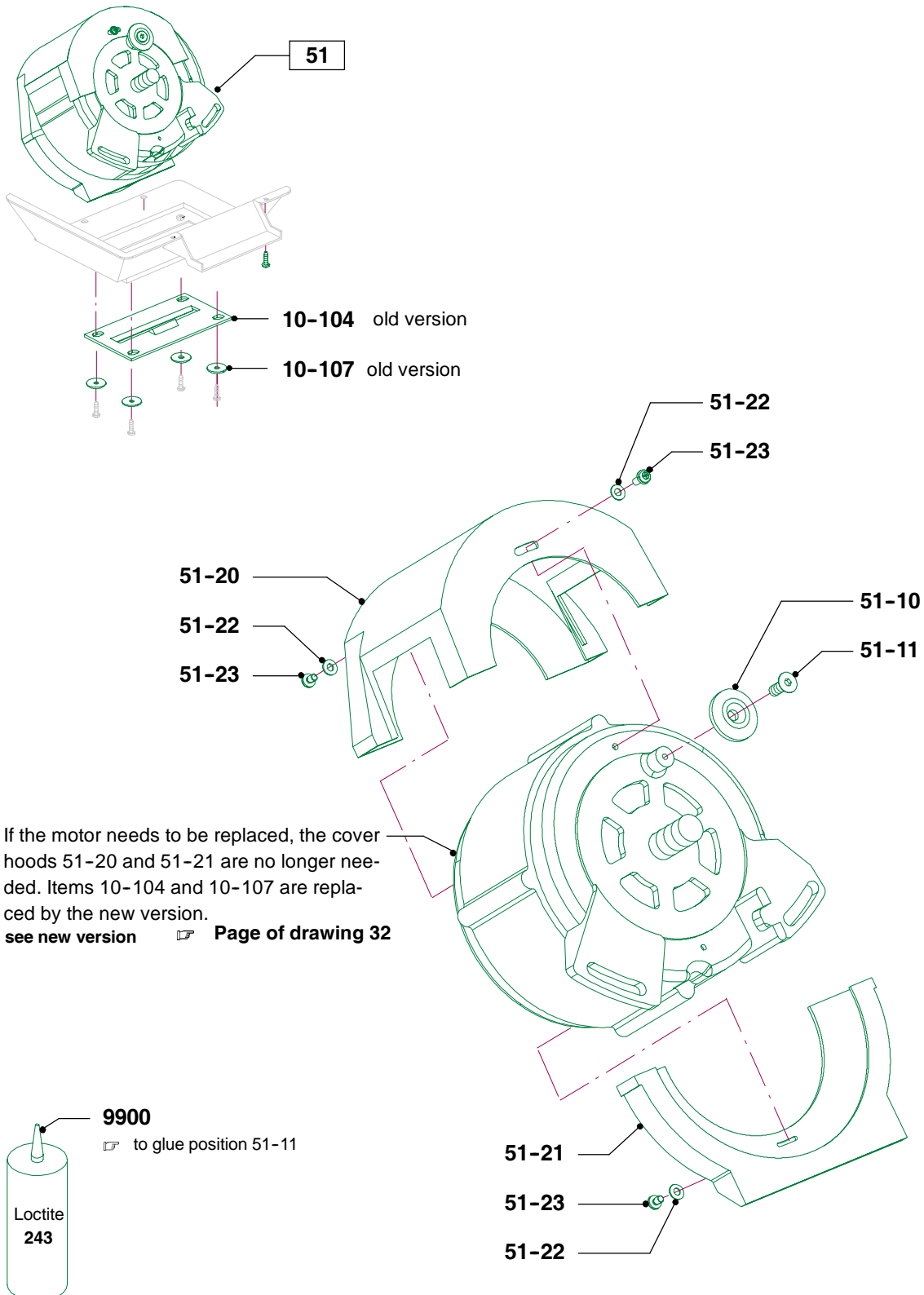



## Cables



## Blade motor

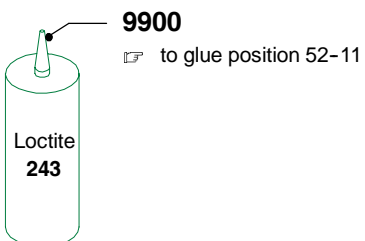
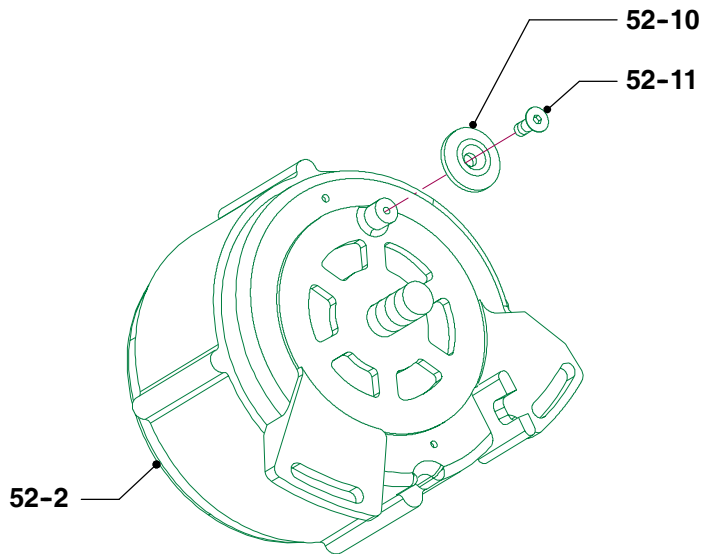
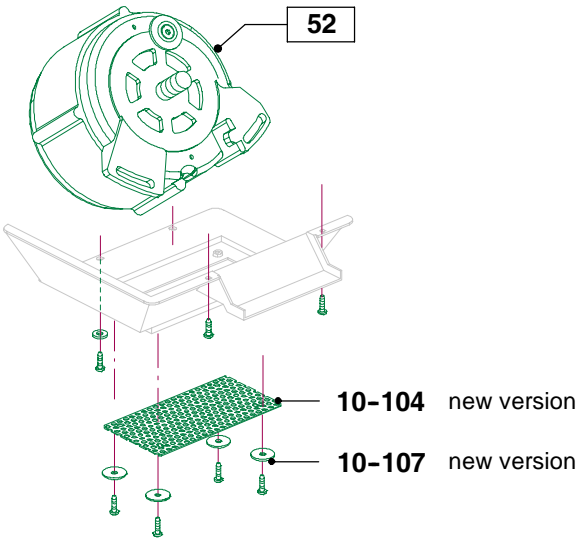
old version, with exhaust air hood



If the motor needs to be replaced, the cover hoods 51-20 and 51-21 are no longer needed. Items 10-104 and 10-107 are replaced by the new version. see new version  **Page of drawing 32**

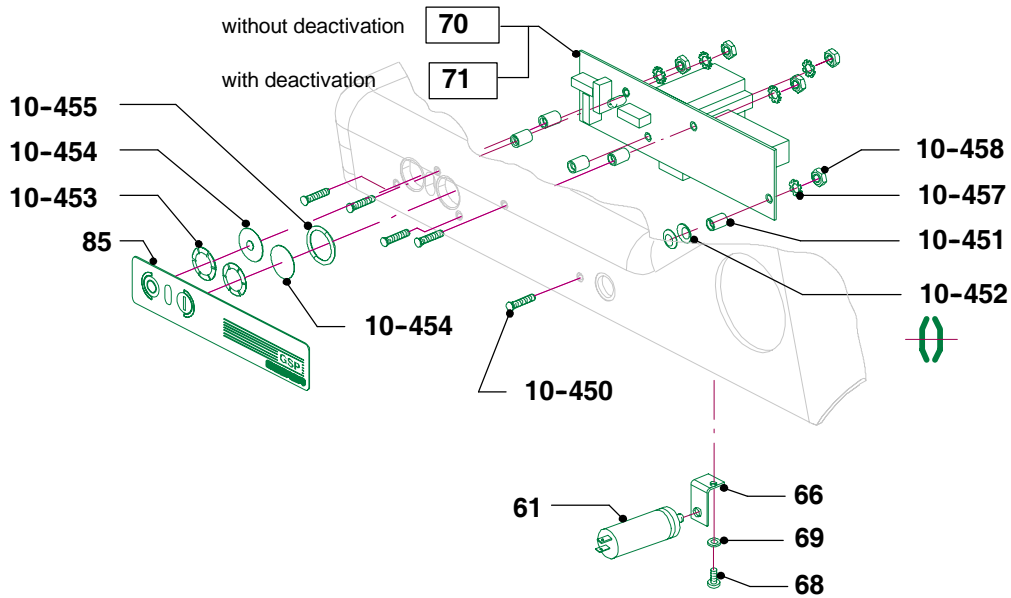
# Blade motor

new version, without exhaust air hood

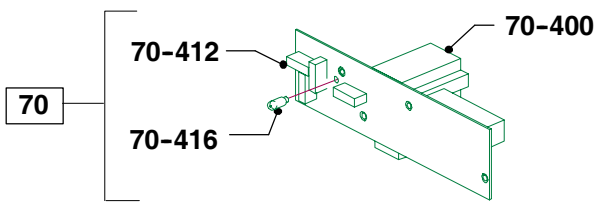


**4**

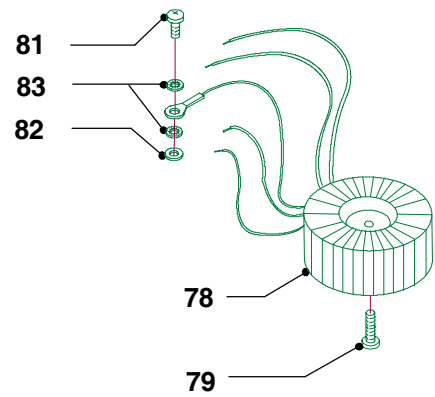
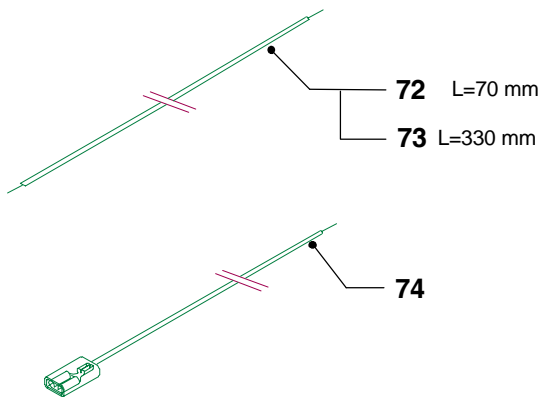
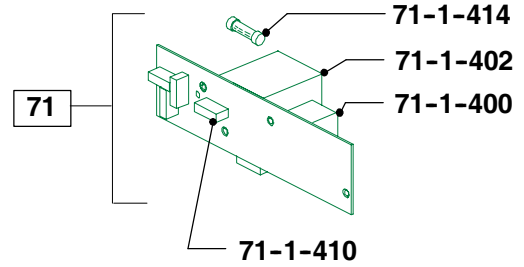
# LPB, deco foil, transformer, capacitor and strands



LPB ON/OFF, without deactivation



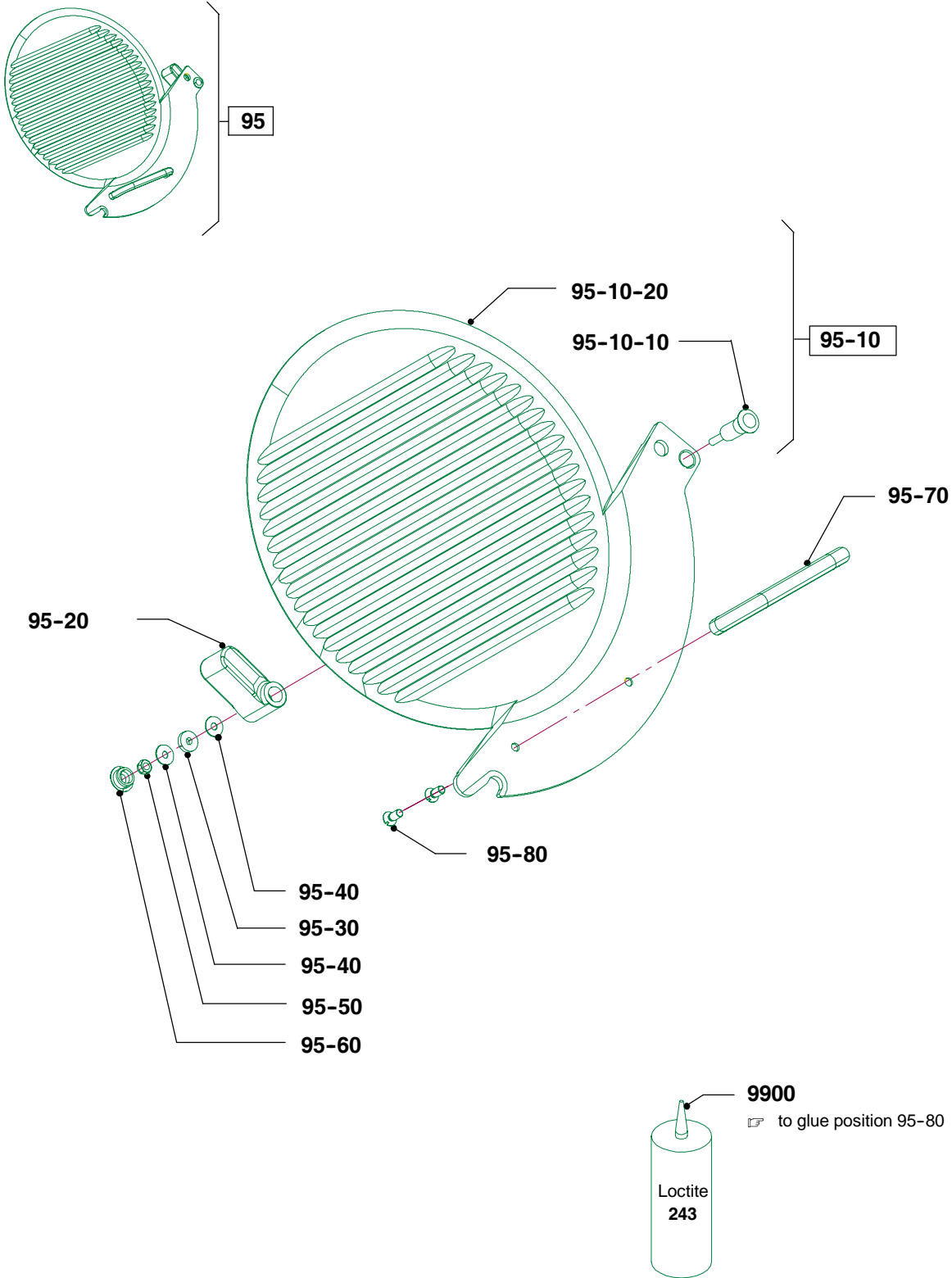
SW LPB deactivation



4

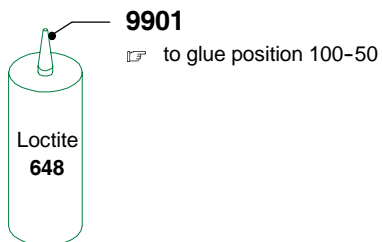
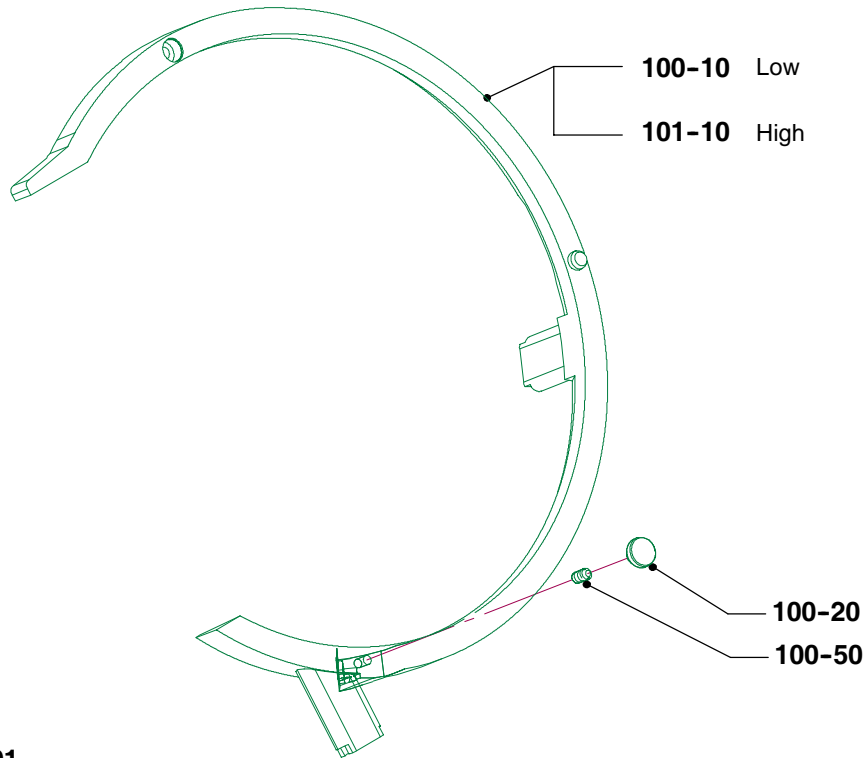
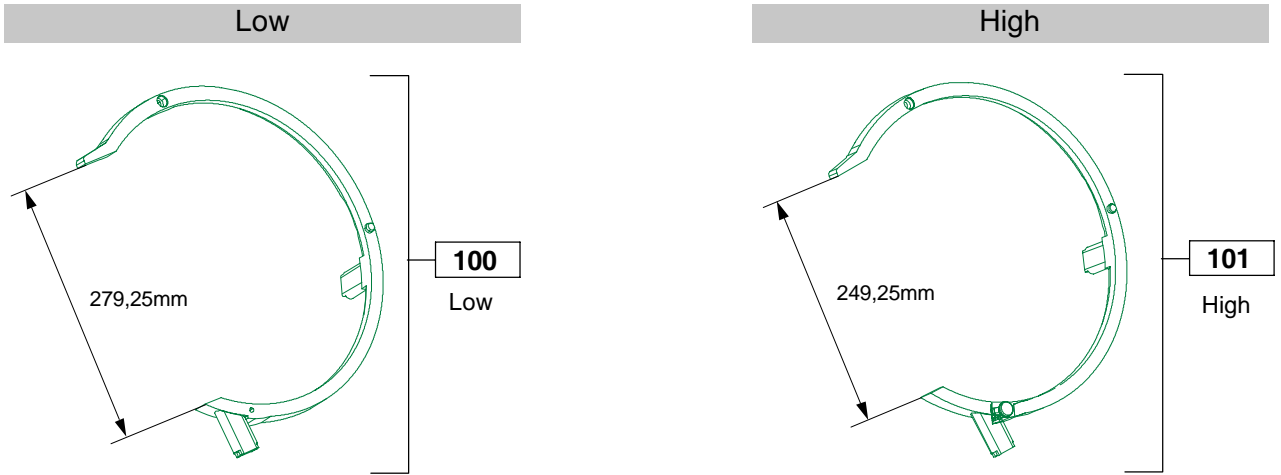
# Blade cover

Blade cover, standard and ceraclean



**4**

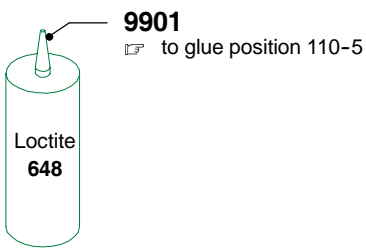
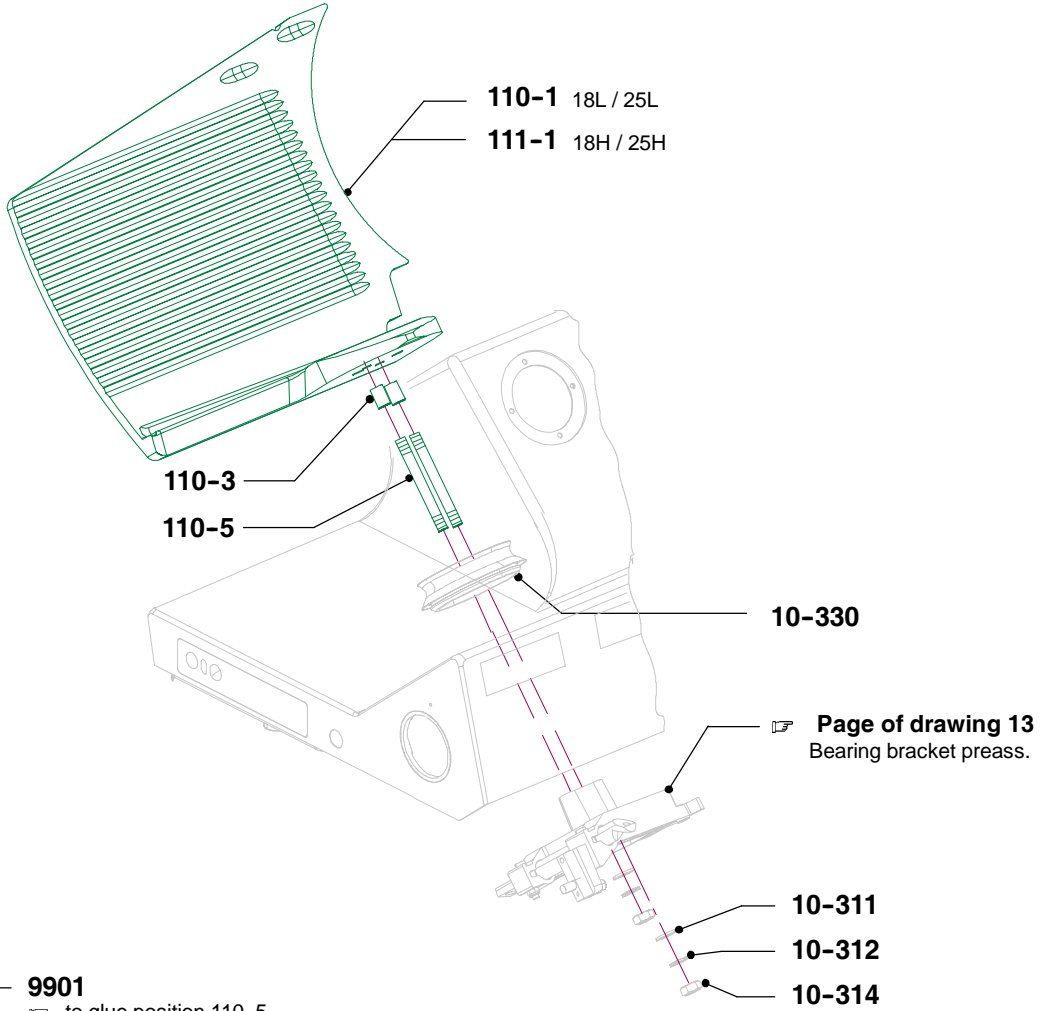
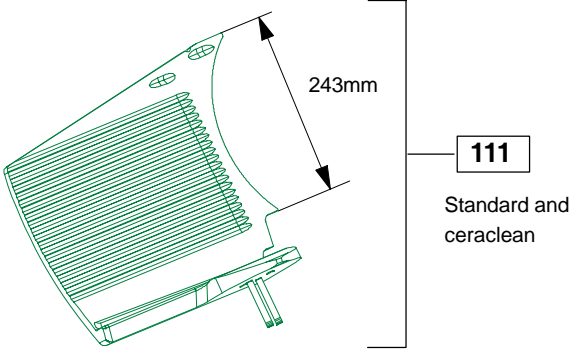
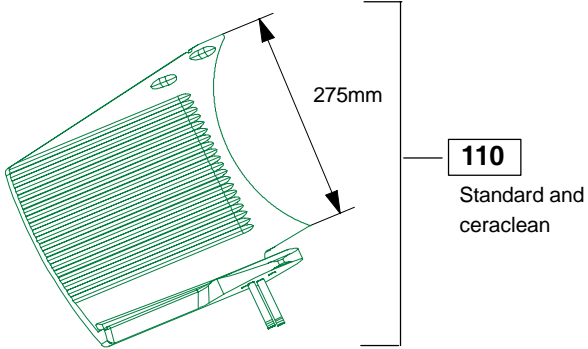
### Blade guard ring - plastic



### Gauge plate fluting

18 Low / 25 Low

18 High / 25 High



**4**





# Accessories and product documentations

## Accessories



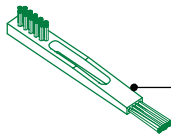
140-1



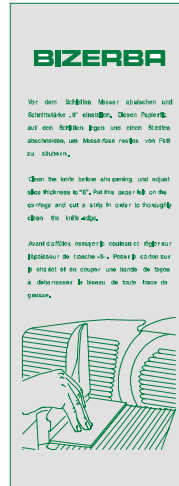
140-4



140-2



140-3



140-5

4

## Product documentations

### Instruction manual

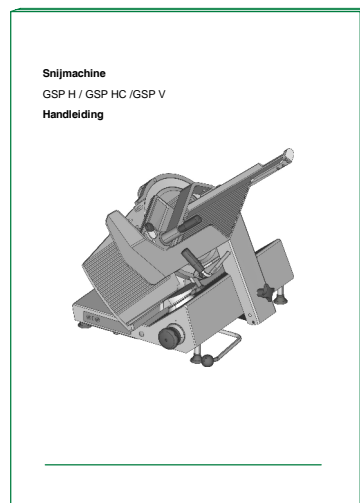
Complete instructions with notes on installation, technical data, with notes on operation, maintenance etc. (DEU, ENG, FRA, ITA, ESP)



170

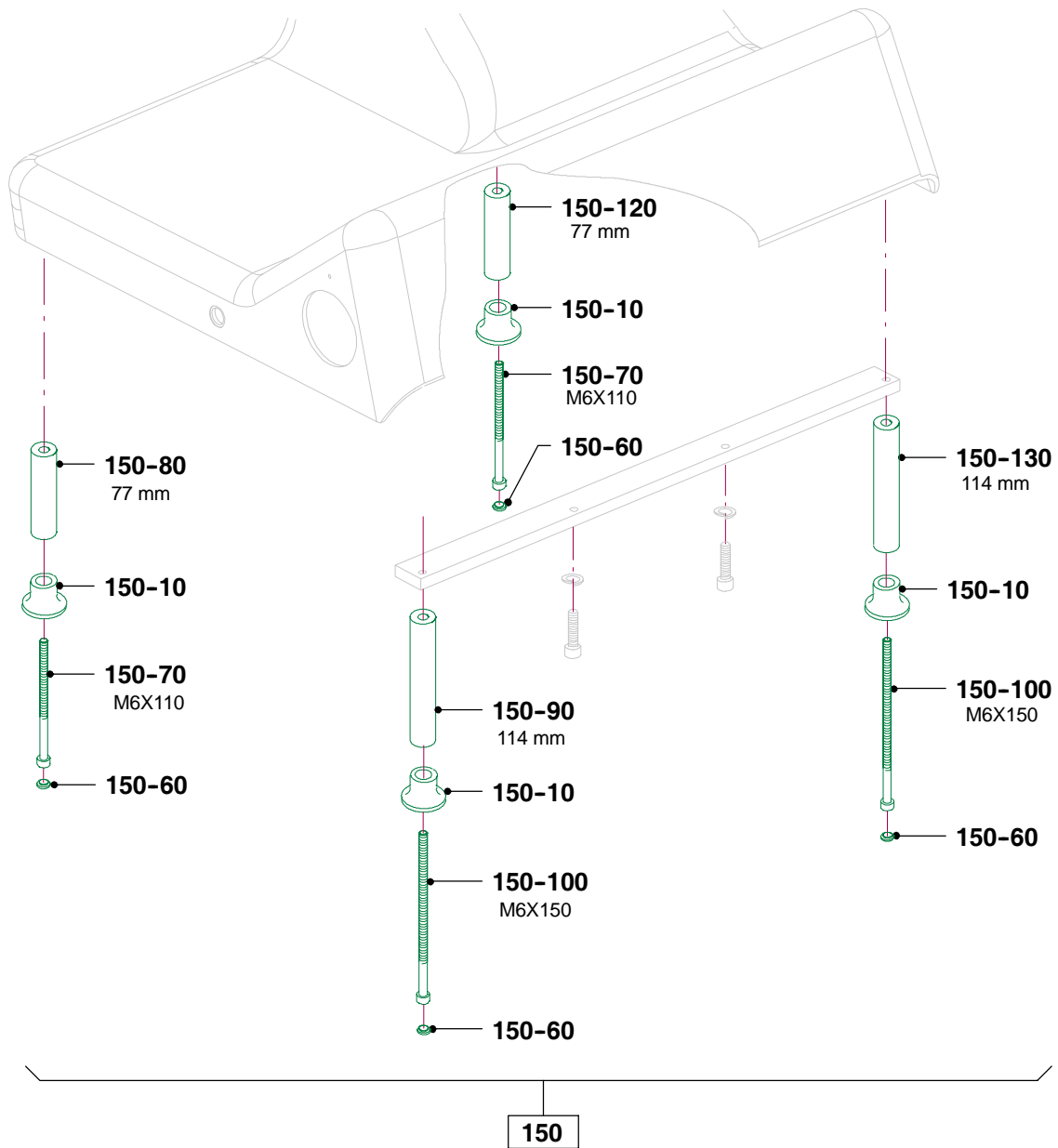
### Operating instructions

Extract from instruction manual with notes on operation, maintenance etc. Short version in 17 languages.



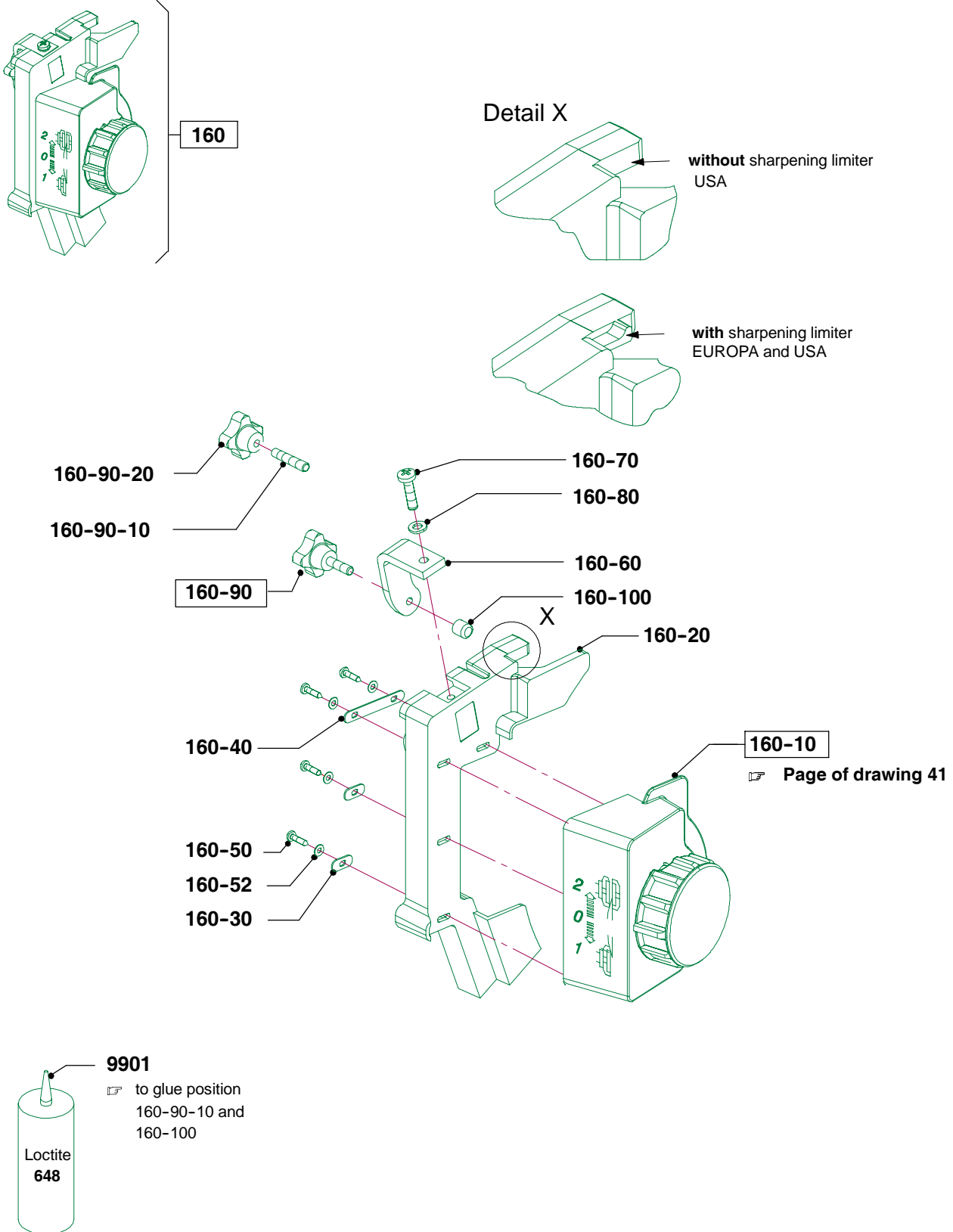
171

## Rubberfeet high



# Grinder NSF

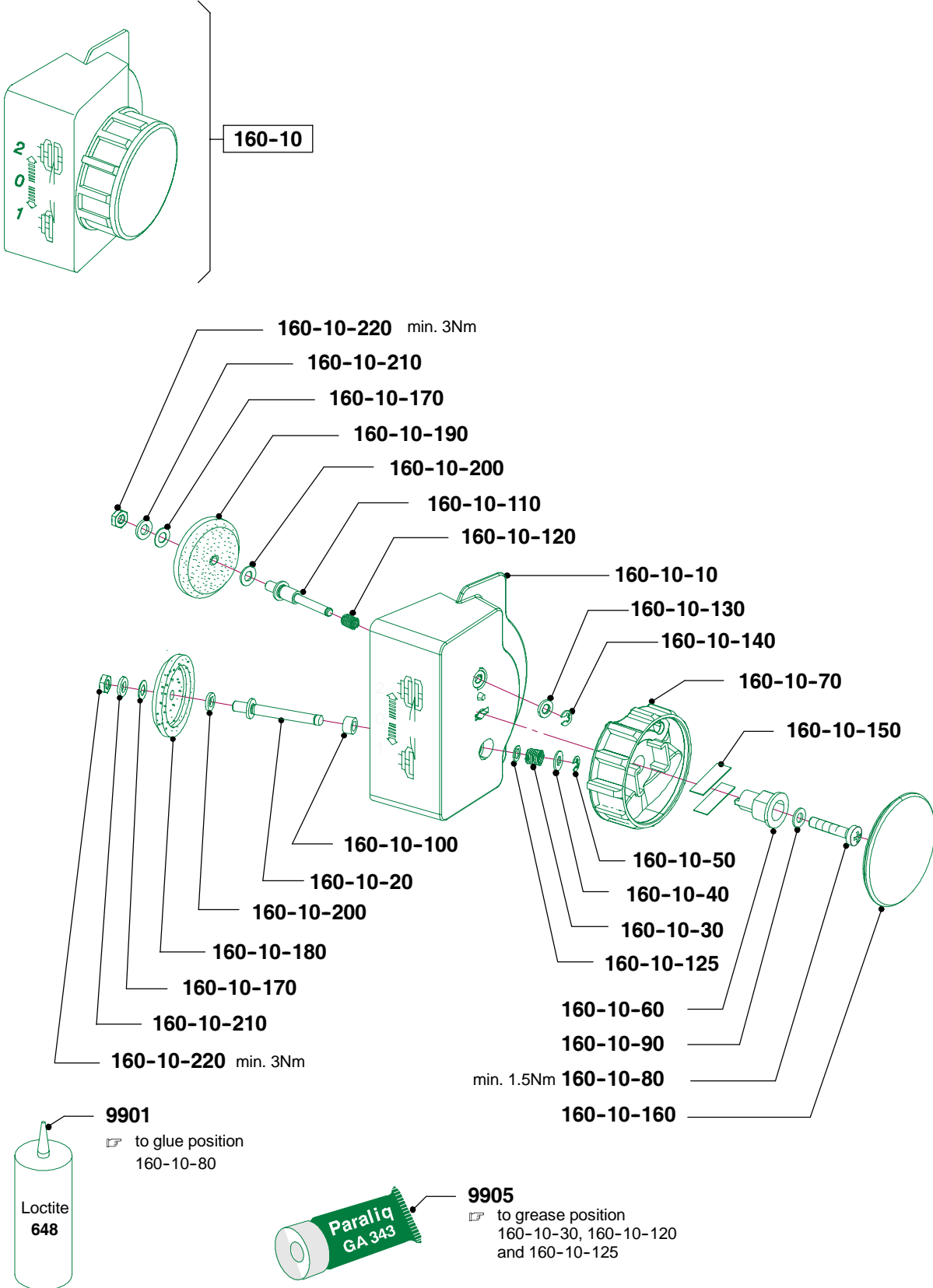
Grinder NSF cpl., 18H/25H



**4**

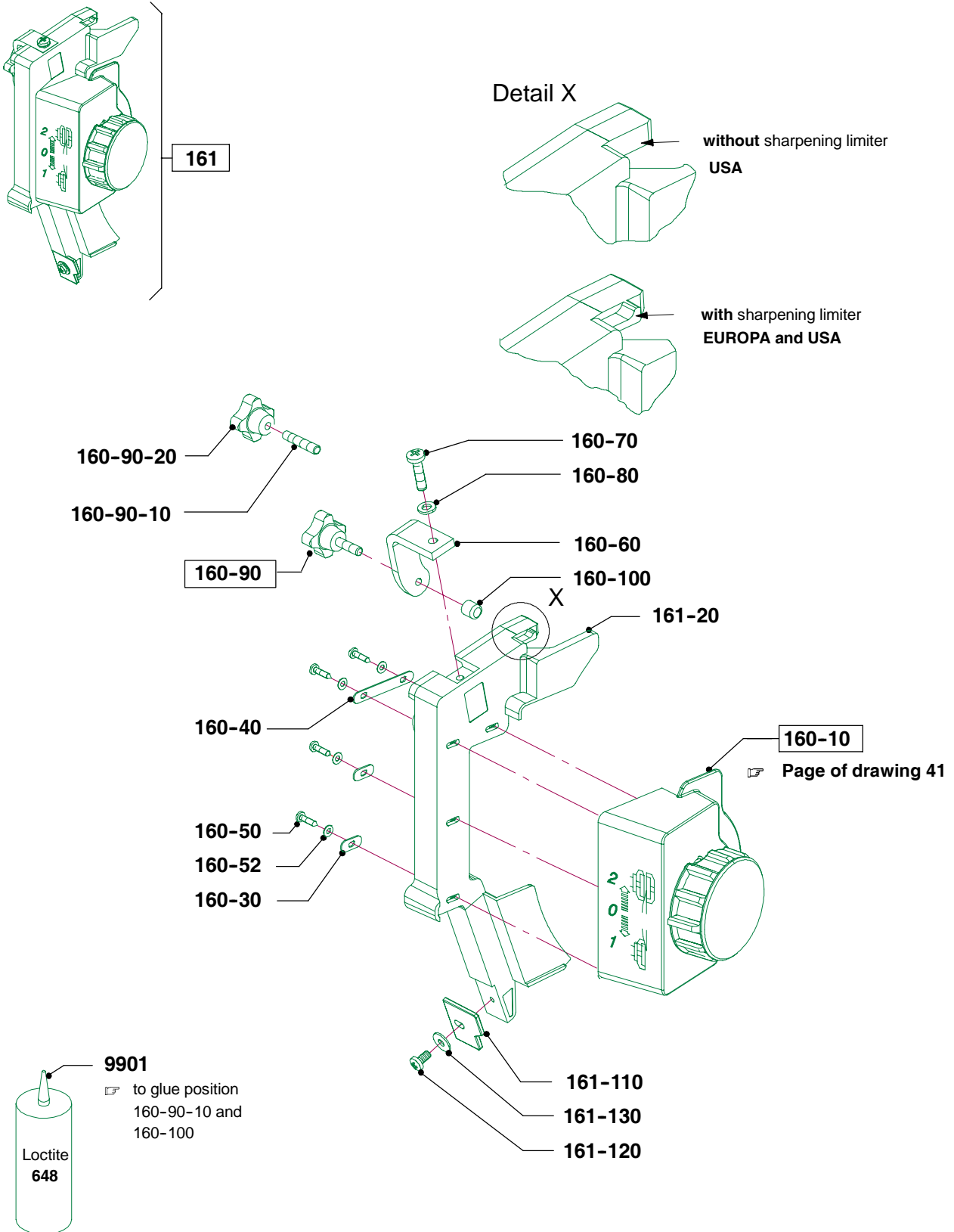
# Grinder NSF

## Grinder pre-assembled CE



# Grinder NSF

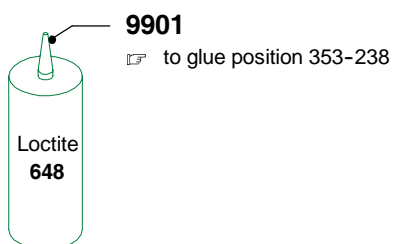
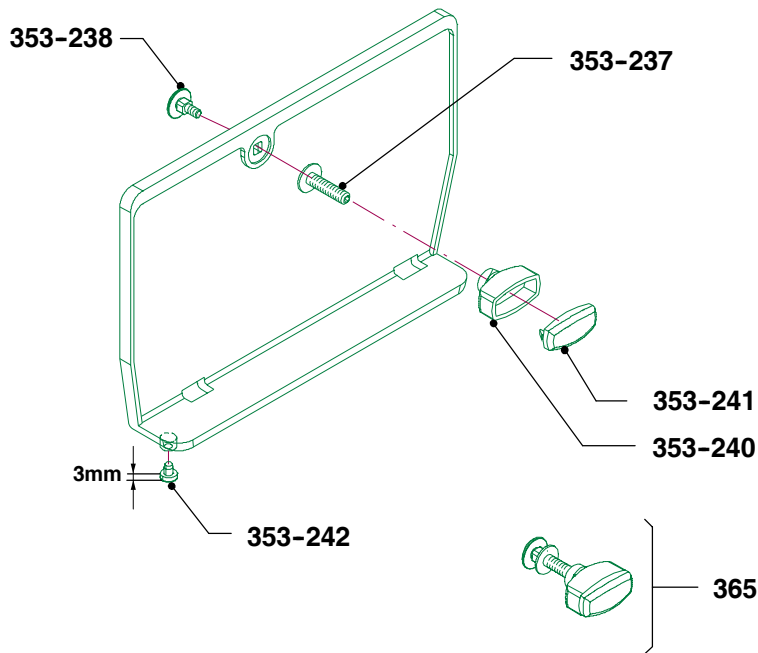
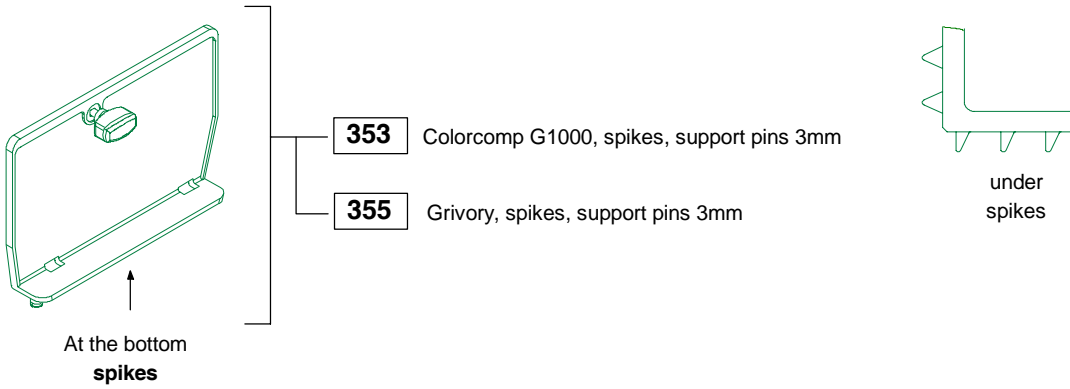
Grinder NSF cpl., 18L/25L



**4**

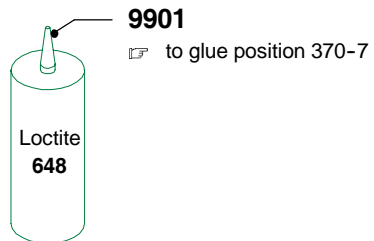
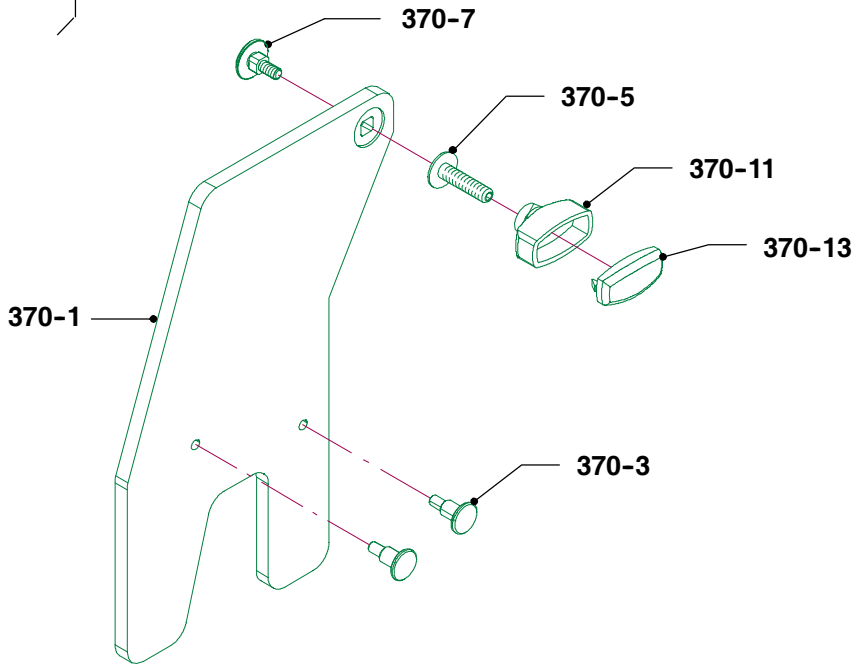
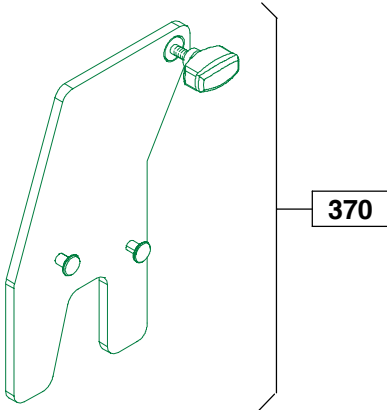
## Remnant holder

### Remnant holder preassembled



# Remnant holder

Tomato guide remn. hold. plate

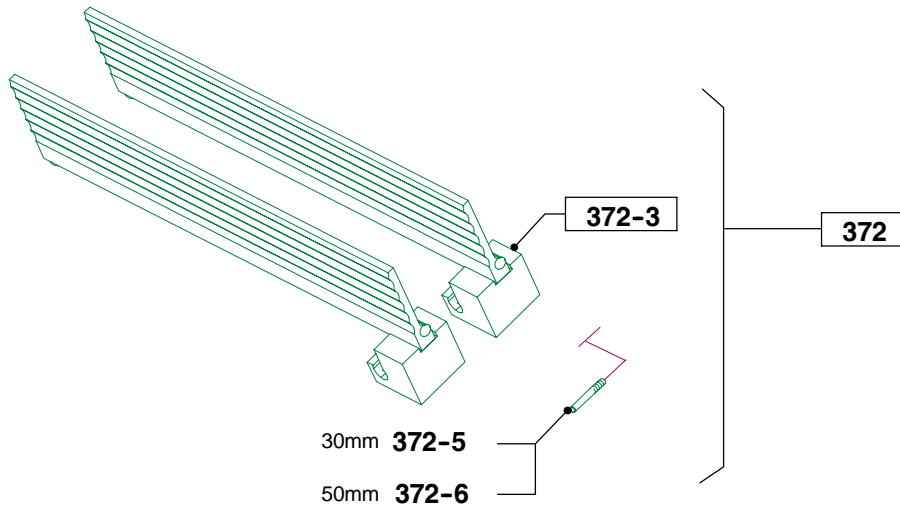


**4**

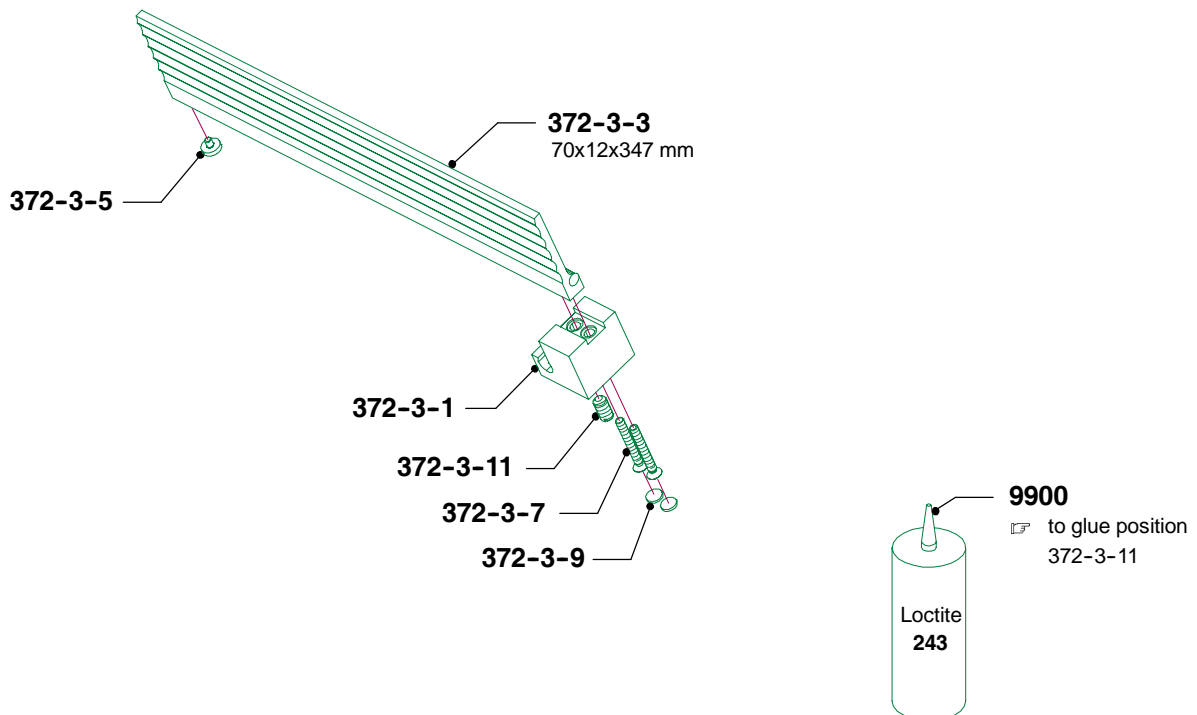


## Product fixation

Tomato guide (70x12x347 mm)

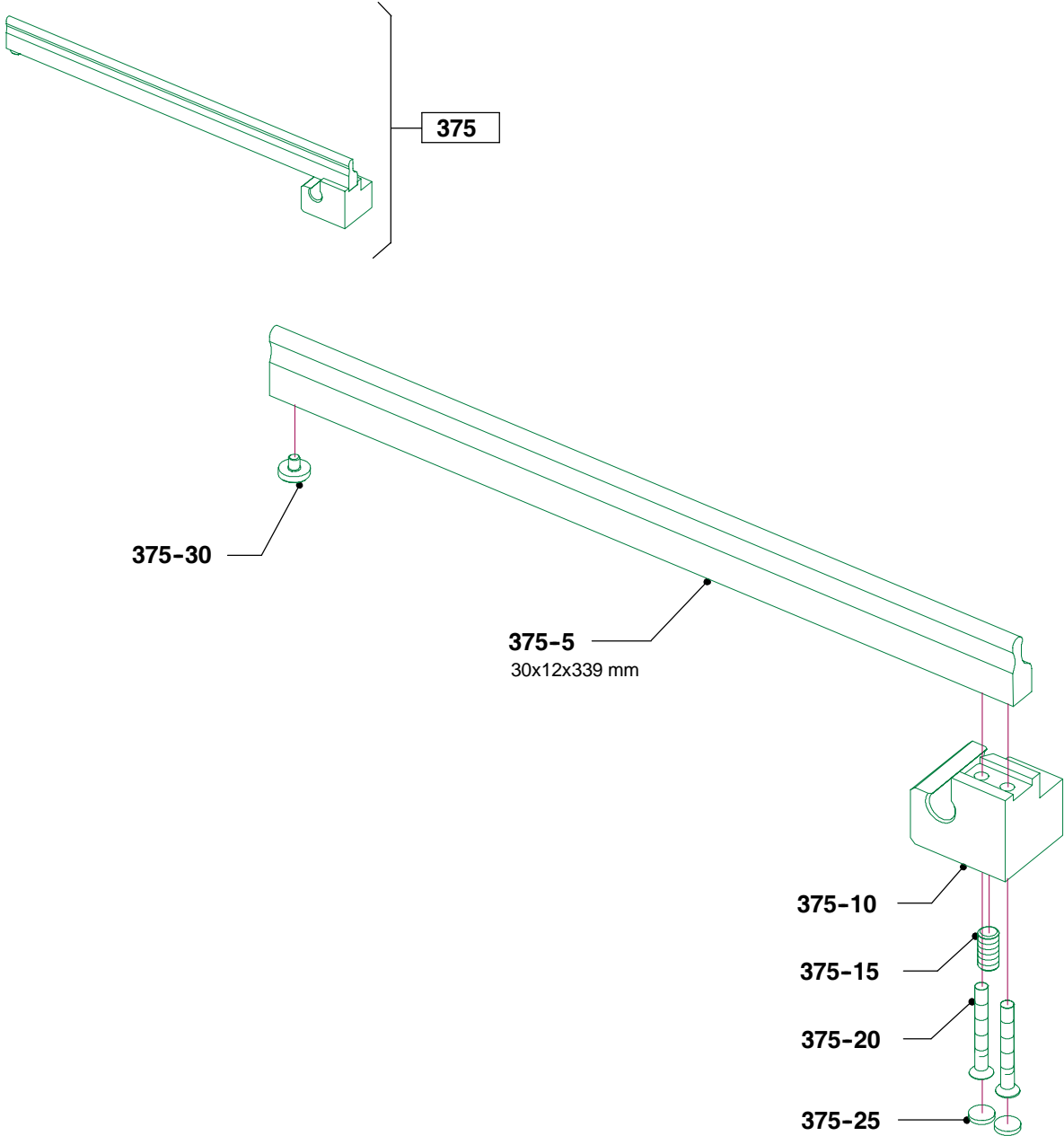


## Slider with ruler



## Product fixation

Ruler cpl. (30x12x339 mm)



**9900**

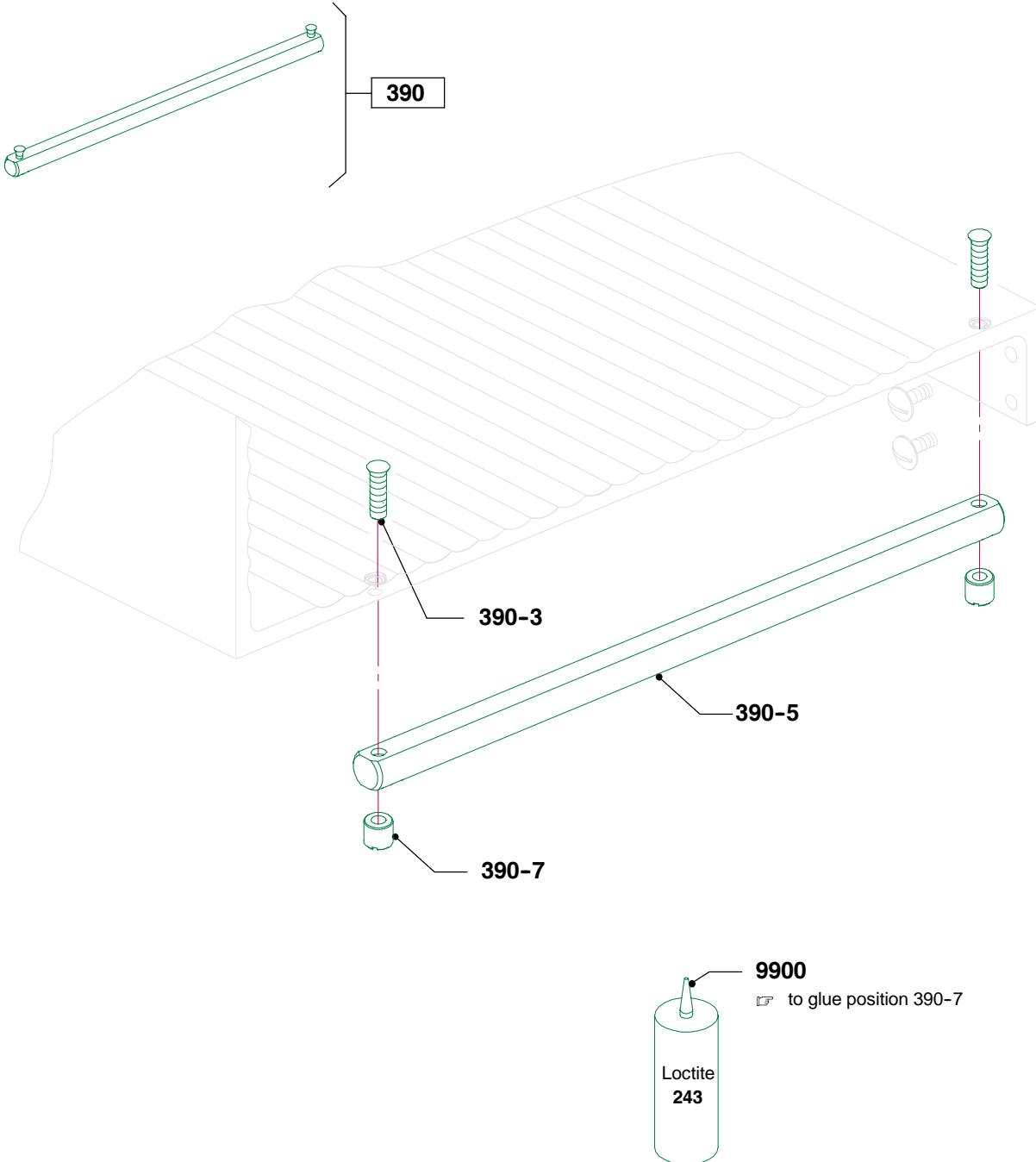
to glue position 375-15



**4**

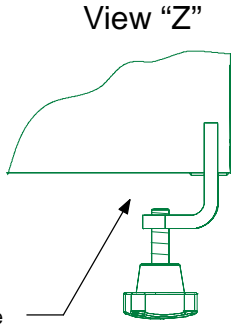
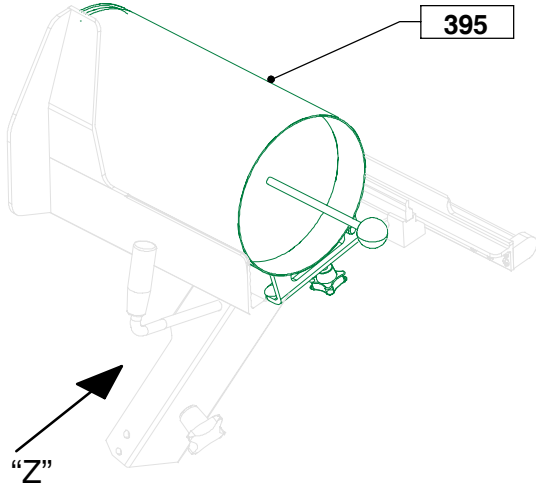
## Product fixation

### Retrofitting set, product fixation



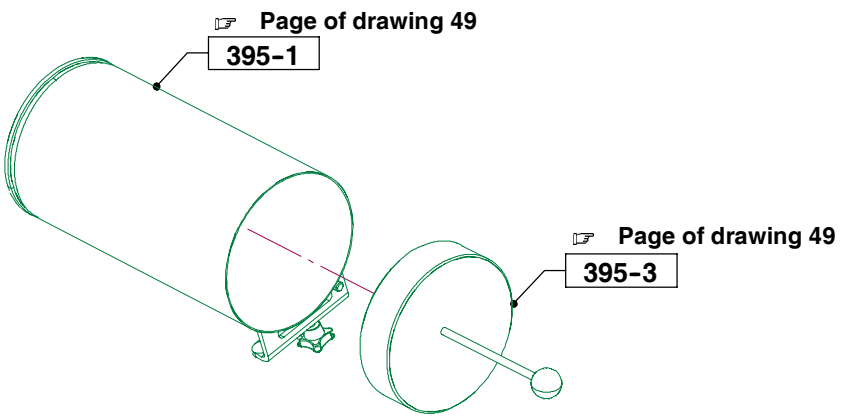
# Product fixation

## Vegetable chute and pusher



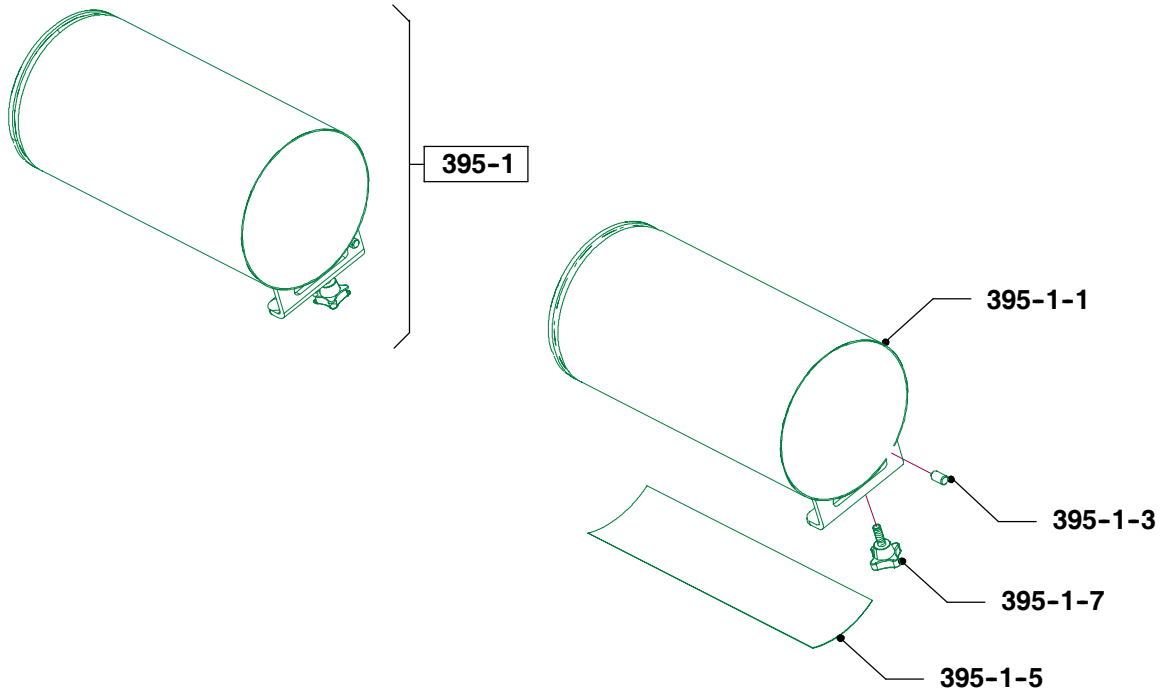
Clamping on carriage plate or guiding bar

**4**

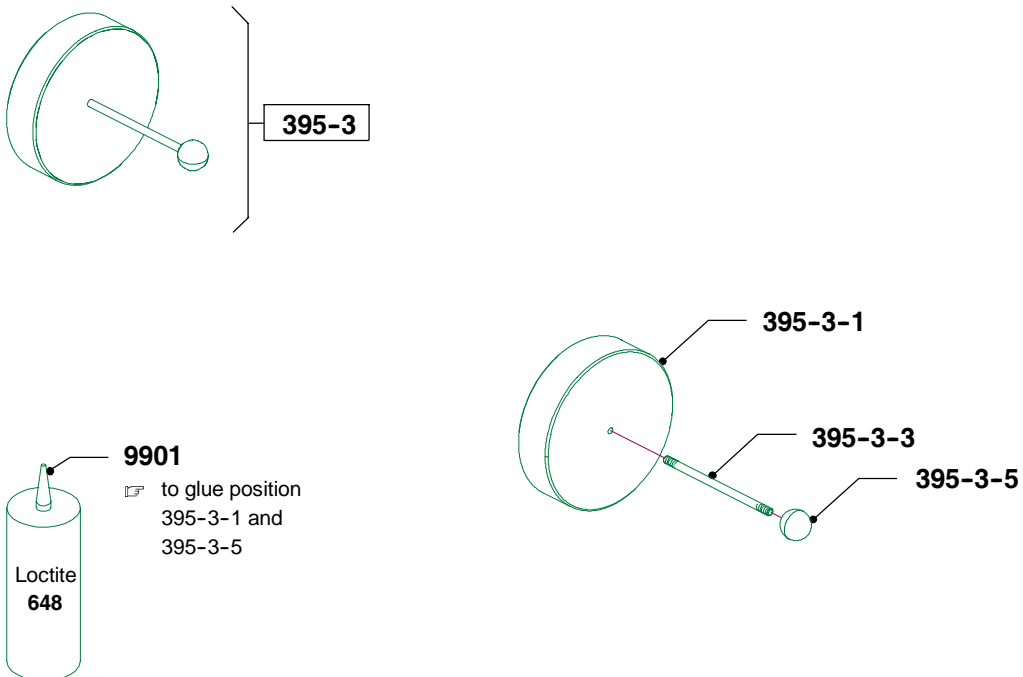


## Product fixation

### Vegetable chute



### Pusher



Page of drawing <b>50</b>	<b>GSP H33 / GSP HC 33</b>	Spare parts list No. <b>037.98.3.1201</b>	Series (code No.) <b>90.034</b>
------------------------------	----------------------------	--	------------------------------------

**4**

# Precision slicer

## GSP H33 / GSP HC 33

### Text content

### Text page

Basic components .....	1
Blade bearing preass. ....	1
Carriage guide cpl., standard + automatic switchoff .....	1 + 5
Rotary knob .....	3
Bearing bracket preass., standard + automatic switchoff .....	3 + 5
Switch cover .....	4
Deflector wing .....	5
Lifting lever .....	6
Carriage	
Carriage alu welded, 1pc, 25 High, L=90 mm .....	6
Carriage alu welded, 1pc, 25 High, L=150 mm .....	7
Carriage 25 High transparent L=150 mm .....	7
Carriage alu welded, 1pc, 25 High, L=90 mm CERACLEAN .....	8
Carriage alu welded, 1pc, 25 Low, L=90 mm .....	9
Carriage alu welded, 1pc, 25 Low, L=150 mm .....	10
Carriage alu welded, 1pc, 18 Low, transparent, L=150 mm CERACLEAN .....	10
Cables .....	11
Blade motor .....	12
Capacitor .....	12
LPB ON-OFF, SW LPB deactivation, strands, transformer, deco foil .....	12
Blade and blade cover .....	13
Blade guard ring .....	13
Gauge plate fluting pre assembl. ....	13
Signs, reference plate, warning plate .....	14
Accessories .....	14
Rubberfeet high .....	14

<b>Text content</b>	<b>Text page</b>
Grinder NSF	
18 High / 25 High .....	15
18 Low / 25 Low .....	16
Product documentations .....	16
Zero switch .....	16
Remnant holder .....	17
Product fixation .....	17+18
Screw sealing, gluten and lubricative .....	18
Last text page .....	18

The spare parts marked with „Q” are important for the verification, i. e. at the assembly of these parts the verification seal is destroyed. These parts can be purchased only at authorized Bizerba representations.

On the image and text section spear and wear parts are highlighted with (V).



Series (code No.) <b>90.034</b>	Spare parts list No. <b>037.98.3.1201</b>	<b>GSP H33 / GSP HC 33</b>	Text page <b>1</b>
------------------------------------	--	----------------------------	-----------------------

Number in drawing	Order number	Piece	Designation	from status onwards
X	X	X	X	X
10		001	BASIC COMPONENTS SE 12 CAN FACELIFT, W/O AUTOMATIC S.	
		001	BASIC COMPONENTS GSP H -MULTI +LIFT, W/O AUTOMATIC S.	
10-1	60371600101	001	MACHINE HOUSING RAISED LIP	
10-2	60370103001	001	COLLET 3	
10-3	57442170000	001	COUNTERS.SCR. DIN 7991-M6X20-A2-70	
10-10	38010483001	001	SUPPORTER	
10-11	57345200000	002	HEXAGON SCREW DIN 933-M5X20-8.8	
10-12	56739050000	002	WASHER DIN 125-A 5,3 -A2-70	
10-13	57758500000	002	TOOTHED WASHER DIN 6797-A 5,3-FST	
10-14	60370103200	001	SEALING	
10-20	38002647000	001	BLADE BEARING PREASS.	
10-20-1	60370112600	001	BEARING BUSHING	
10-20-2	56362680000	002	GROOVED BALL BEARING DIN 625 6006-2R	
10-20-3	60370103901	001	SPACER RING	
10-20-4	50282370000	002	DISC SPRING 54,5X40,5X0,45	
10-20-5	60370103601	001	MOUNTING RING	
10-20-6	57442080000	004	COUNTERS. SCREW DIN 7991-M4X12-A2-70	
10-20-7	38002269000	001	BLADE SHAFT	
10-20-8	38002106000	001	SHORING BOLT	
10-20-11	60370104200	001	SEALING RING	
10-24	57743440000	004	SOCKET HEAD SCREW DIN 912-M6X25-A2-70	
10-25	57767060000	004	SPR. LOCK WASHER DIN 126-A6-FST	
10-26	56739060000	004	WASHER DIN 125-A 6,4-A2-70	
10-28	60370104100	001	BELT PULLEY	
10-29	60370104301	001	HEXAGONAL NUT	
10-30	38010563000	002	THREADED PIN M12X1	
10-32	56739050000	002	WASHER DIN 125-A 5,3 -A2-70	
10-34	57743280000	002	SOCKET HEAD SCREW DIN 912-M5X20-A2-70	
10-37	56765050000	002	WASHER DIN 9021-5,3-A2-70	
10-39	57743290000	002	SOCKET HEAD SCREW DIN 912-M5X25-A2-70	
10-40	60810107601	002	SEALING	
10-45	57743310000	001	SOCKET HEAD SCREW DIN 912-M5X30-A2-70	
10-47	38010606001	001	COVER	
10-59	60180300028	001	BOLT 8X5	
10-60	60370100301	001	CARRIAGE GUIDE CPL., STANDARD	
10-60-1	60370100401	001	CARRIAGE GUIDE PREASSEMBLED, STANDARD	
10-60-1-1	60370100601	001	CARRIAGE GUIDE, STANDARD	
10-60-1-2	60370100700	001	ROLLER MOUNTING, PREASSEMBLED	
10-60-1-2-1	60370100801	001	ROLLER BEARING	
10-60-1-2-2	60370100900	001	BEARING BOLT	
10-60-1-2-3 (V)	40220102500	001	BALL BEARING	
10-60-1-2-4	57750800000	001	RETAINING WASHER DIN 6799 8	
10-60-1-2-5	50383650000	001	BUFFER WITH PIN F.NR.3184	
10-60-1-6	57737250001	001	CHEESE-HEAD SCREW M 8X25	
10-60-1-7	56739080000	001	WASHER DIN 125-A 8,4-A2-70	
10-60-1-8	57767080000	001	SPR. LOCK WASHER DIN 128-A8-A2	
10-60-1-10	60530300066	002	FELT RING 25.5	

Bitte unbedingt 11-stellige **Bestell-Nr.** angeben • Please always indicate 11 digit **Order No.** • Absolutement nécessaire d'indiquer **No. de commande** (11 chiffres) • Favorisca specificarci sempre il **N. di ordine** a 11 cifre • Es imprescindible que citen el **No. de pedido** (11 guarismos)

Text page <b>2</b>	<b>GSP H33 / GSP HC 33</b>	Spare parts list No. <b>037.98.3.1201</b>	Series (code No.) <b>90.034</b>
-----------------------	----------------------------	--	------------------------------------

Number in drawing	Order number	Piece	Designation	from status onwards
X	X	X	X	X
10-60-1-11	60530300067	002	WASHER 26	
10-60-1-12	38004689000	002	BUSHING 2530 DP4	
10-60-1-16	57432200000	001	HEXAGON SCREW DIN 933-M8X20-A2-70	
10-60-1-21	56980720000	001	OVAL-HEAD SCREW DIN 923-M5X4-5.8	
10-60-1-22	56453290000	001	THREADED INSERT HELI-COIL M12X9	
10-60-1-23	56044800000	001	SETSCREW DIN 551-M8X35-MS	
10-60-1-24	56456800000	001	HEXAGON NUT DIN 934-M8-X5CRNI18-10	
10-60-1-30	60370112800	001	FELT STRIP	
10-60-1-32	60370102301	001	COVER	
10-60-1-33	56818430000	002	SELF-TAPP.SCREW DIN 7500-CM4X8-T20-ST	
10-60-1-48	60370102700	001	TORSION SPRING	
10-60-1-50	60370102801	001	STOP	
10-60-1-52	60370102901	001	INSERT	
10-60-1-56	57347160000	002	HEXAGON SCREW DIN 933-M6X16-8.8	
10-60-1-58	57767060000	002	SPR. LOCK WASHER DIN 126-A6-FST	
10-60-5	60370102001	001	CARRIAGE SHAFT, PREASSEMBLED	
10-60-5-1	60370102102	001	CARRIAGE SHAFT	
10-60-5-2	60370102600	001	STOP RING	
10-60-5-5	60370113200	001	LEVER, PREASSEMBLED	
10-60-6	60370102400	001	SHOCK ABSORBER	
10-60-7	60370102500	001	SHOCK ABSORBER SLEEVE	
10-60-8	60370107000	001	BUFFER DISK	
10-61	50275150000	001	PRESSURE SPRING D-180T	
10-62	60370101900	002	SCREW	
10-64	56777181000	002	SEALING WASHER DIN 470-18-AL	
10-85	50009811000	001	V-RIBBED BELT PJ10-406	
10-86	40110000099	002	WASHER	
10-87	56765060000	002	WASHER DIN 9021-6,4-A2-70	
10-88	57736450000	002	CHEESE-HEAD SCREW M 6X45	
10-89	57767060000	002	SPR. LOCK WASHER DIN 126-A6-FST	
10-90	60370107301	001	SPACER PREASS.	
10-91	60370107502	001	SPACER	
10-95	60220200601	001	WASHER	
10-96	57767060000	001	SPR. LOCK WASHER DIN 126-A6-FST	
10-97	60370109701	001	CLAMPING NUT	
10-98	60370107100	001	GUIDE RAIL	
10-99	60610000400	002	RUBBER FOOT	
10-102	56338240000	001	GROOVED PIN DIN 1474-6X24 A2-70	
10-103	60370107600	002	DISTANCE COLLAR	
10-104	60370115100	001	COVER,PART 2, OLD VERSION	
	38016920000	001	PERFORATED SHEET, NEW VERS., MOTOR W/O EXHAUST AIR H.	
10-105	60370112701	001	COVER 2 PARTS	
10-106	57455460000	004	TAPPING SCREW ISO 7049-C4.2X16-ST	
10-107	60370115400	004	COVER DISC, OLD VERSION	
	56765040000	004	WASHER DIN 9021-4,3-A2-70, NEW VERSION	
10-108	60610000400	002	RUBBER FOOT	

Bitte unbedingt 11-stellige **Bestell-Nr.** angeben • Please always indicate 11 digit **Order No.** • Absolutement nécessaire d'indiquer **No. de commande** (11 chiffres) • Favorisca specificarci sempre il **N. di ordine** a 11 cifre • Es imprescindible que citen el **No. de pedido** (11 guarismos)

Series (code No.) <b>90.034</b>	Spare parts list No. <b>037.98.3.1201</b>	<b>GSP H33 / GSP HC 33</b>	Text page <b>3</b>
------------------------------------	--	----------------------------	-----------------------

Number in drawing	Order number	Piece	Designation	from status onwards
X	X	X	X	X
10-109	57743440000	002	SOCKET HEAD SCREW DIN 912-M6X25-A2-70	
10-110	57767060000	002	SPR. LOCK WASHER DIN 126-A6-FST	
10-111	57630620000	004	COUNTERS.SCR. DIN 963-M6X12-A2-70	
10-198	56269330000	001	ROUND-HEAD NAIL DIN 1476-3X6-PC	
10-200	60370105601	001	PLASTIC WHEEL	
10-202	60370105702	001	ROTARY KNOB SHAFT	
10-204	56739050000	001	WASHER DIN 125-A 5,3 -A2-70	
10-206	57767050000	001	SPR. LOCK WASHER DIN 128-A5-FST	
10-208	57747210000	001	SOCKET HEAD SCREW DIN 7984-M5X12-8.8	
10-210	60370105801	001	WASHER	
10-211	40110201009	001	WASHER	
10-214	00110000095	002	DISK SPRING	
10-215	57920040000	001	ADJUSTING RING DIN 705-A18-ST	
10-220	60270101300	001	CHART SEALING RING	
10-221	57775550000	001	RETAINING RING DIN 472-55X2	
10-222	60370119401	001	ROTARY KNOB COMPL.	
10-222-1	60223501702	001	SCALE	
10-222-3	60370119501	001	ROTARY KNOB	
10-222-5	57464230000	002	PLASTIC SCREW WN1451-K40X16-T20-10.9	
10-224	56922570000	001	RAISED COUN. SCREW DIN 964-M5X25-A2-70	
10-240	60370101701	001	BEARING BRACKET PREASS., STANDARD	
10-240-1	60370101601	001	LOAD ARM, STANDARD	
10-240-10	57736300000	002	SOCKET HEAD SCREW DIN 912-M6X30-8.8	
10-240-12	56400860000	002	LOCKNUT DIN 985-M6-A2-70	
10-240-20	50001190000	002	BUSH MB 1815 DU	
10-240-22	60370111500	001	LEVER, PRE-ASSEMBLED	
10-240-22-5	56150360000	001	PARALLEL PIN DIN 28734-8M6X26-ST	
10-240-23	56337160000	001	GROOVED PIN DIN 1474-5X16 A2-70	
10-240-24	57736200000	001	SOCKET HEAD SCREW DIN 912-M6X20-8.8	
10-240-26	57767060000	001	SPR. LOCK WASHER DIN 126-A6-FST	
10-240-27	56739060000	001	WASHER DIN 125-A 6,4-A2-70	
10-240-30	60220110100	002	THREADED PIN	
10-240-32	56083970000	002	SETSCREW DIN 916-M6X8-45H	
10-240-40	60370105900	001	SHAFT	
10-240-50	60370106201	001	WASHER	
10-240-52	57743080000	002	SOCKET HEAD SCREW DIN 912-M4X16-A2-70	
10-240-54	56739040000	002	WASHER DIN 125-A 4.3-A2-70	
10-240-56	57767040000	002	SPR. LOCK WASHER DIN 128-A4-FST	
10-242	56083380000	001	SETSCREW DIN 913-M10X50-A2-70	
10-244	56444820000	002	HEXAGON NUT DIN 439-BM10-A2-70	
10-246	57743430000	001	SOCKET HEAD SCREW DIN 912-M6X20-A2-70	
10-248	57767060000	001	SPR. LOCK WASHER DIN 126-A6-FST	
10-250	50002390000	001	PROTECTIVE PLUG TL-4-105	
10-251	50002530000	001	PROTECTIVE PLUG TL-4-073	
10-280	60370106100	001	SUPPORTING RAIL	
10-281	60370115300	001	SPACER	
10-282	57736200000	001	SOCKET HEAD SCREW DIN 912-M6X20-8.8	
10-283	56083180000	001	SETSCREW DIN 913-M6X35-A2-70	

Bitte unbedingt 11-stellige **Bestell-Nr.** angeben • Please always indicate 11 digit **Order No.** • Absolutement nécessaire d'indiquer **No. de commande** (11 chiffres) • Favorisca specificarci sempre il **N. di ordine** a 11 cifre • Es imprescindible que citen el **No. de pedido** (11 guarismos)

Text page <b>4</b>	<b>GSP H33 / GSP HC 33</b>	Spare parts list No. <b>037.98.3.1201</b>	Series (code No.) <b>90.034</b>
-----------------------	----------------------------	--	------------------------------------

Number in drawing	Order number	Piece	Designation	from status onwards
X	X	X	X	X
10-284	57767060000	002	SPR. LOCK WASHER DIN 126-A6-FST	
10-285	56456600000	002	HEXAGON NUT DIN 934-M6-A2-70	
10-311	56739100000	002	WASHER DIN 125-A 10,5-A2-70	
10-312	57767100000	002	SPR. LOCK WASHER DIN 128-A10-FST	
10-314	56456820000	002	HEXAGON NUT DIN 934-M10-A2-70	
10-330	60370106300	001	SEALING GAUGE PLATE	
10-350	56808440000	001	SELF-TAPP.SCREW DIN 7500-CM4X12-ST	
10-351	56808430000	002	SELF-TAPP.SCREW DIN 7500-CM4X8-ST	
10-352	56765040000	001	WASHER DIN 9021-4,3-A2-70	
10-359	60384102100	001	SENSOR SUPPORT	
10-360	60370106401	001	ANGLE, BACK	
10-361	60370106501	001	ANGLE, FRONT	
10-362	57736160000	004	SOCKET HEAD SCREW DIN 912-M6X16-8.8	
10-363	56739060000	004	WASHER DIN 125-A 6,4-A2-70	
10-364	57767060000	004	SPR. LOCK WASHER DIN 126-A6-FST	
10-371	60370106601	001	RAIL	
10-372	60370106700	002	BUSHING	
10-374	50998960000	001	TENSION SPRING RZ-100FX	
10-396	60370106900	001	DISTANCE WASHER	
10-397	57347160000	001	HEXAGON SCREW DIN 933-M6X16-8.8	
10-398	56739060000	001	WASHER DIN 125-A 6,4-A2-70	
10-399	57767060000	001	SPR. LOCK WASHER DIN 126-A6-FST	
10-450	56008310000	005	SELF CLINCHING STUD FH-M4-20-5.8	
10-451	60660011700	005	SPACER SLEEVE	
10-452	50281080000	001	DISC SPRING DIN 2093-12X4,2X0,6	
10-453	60666401100	002	THRUST WASHER	
10-454	60276401100	002	DISTANCE WASHER VS7/A	
10-455	50003680000	001	O-SEAL 20X1.0 NBR 70	
10-457	57758610000	005	TOOTHED WASHER DIN 6797-A 4,3-FST	
10-458	56456400000	005	HEXAGON NUT DIN 934-M4-A2-70	
10-465	56818430000	002	SELF-TAPP.SCREW DIN 7500-CM4X8-T20-ST	
10-466	56739040000	002	WASHER DIN 125-A 4.3-A2-70	
10-467	57758610000	004	TOOTHED WASHER DIN 6797-A 4,3-FST	
10-470	60370113500	001	METAL PLATE FOR CABLE INLET, WELDED, STANDARD	
10-471	56808440000	002	SELF-TAPP.SCREW DIN 7500-CM4X12-ST	
10-472	56765040000	002	WASHER DIN 9021-4,3-A2-70	
10-473	71161130000	001	NUT M PG 13.5	
10-474	71010630000	001	CABLE GLAND ST13.5 UL53015030	
10-475	71011620000	001	SCREW COUPLING ST11 UL53015020	
10-476	71161140000	001	NUT GMP-GL 11 53019020	
10-478	60370119800	001	SILICON TUBE 280 MM	
10-479	60370119700	002	SILICON TUBE 310 MM	
10-480	60370109502	001	SWITCH COVER, UP TO MID-FEBRUARY 2011	
	60370109503	001	SWITCH COVER, FROM MID-FEBRUARY 2011	
10-481	56808440000	004	SELF-TAPP.SCREW DIN 7500-CM4X12-ST	
10-482	56739040000	004	WASHER DIN 125-A 4.3-A2-70	
10-483	60350402001	003	PROTECTIVE PLUG 16.2 KNURLED	
10-484	50002390000	001	PROTECTIVE PLUG TL-4-105, UP TO MID-FEBRUARY 2011	
	71066320000	001	PLUG ROUND M12X1,5, FROM MID-FEBRUARY 2011	

Bitte unbedingt 11-stellige **Bestell-Nr.** angeben • Please always indicate 11 digit **Order No.** • Absolutement nécessaire d'indiquer **No. de commande** (11 chiffres) • Favorisca specificarci sempre il **N. di ordine** a 11 cifre • Es imprescindible que citen el **No. de pedido** (11 guarismos)

Series (code No.) <b>90.034</b>	Spare parts list No. <b>037.98.3.1201</b>	<b>GSP H33 / GSP HC 33</b>	Text page <b>5</b>
------------------------------------	--	----------------------------	-----------------------

Number in drawing	Order number	Piece	Designation	from status onwards
X	X	X	X	X
10-490	38010553003	001	DEFLECTOR WING	
10-491	56972510000	001	MUSHROOM HEAD SCREW M4X12-A2-70	
10-492	38007880000	001	WASHER	
10-493	38012465000	003	TRUST WASHER	
10-502	60370108700	001	SHAFT	
10-503	56083980000	001	SETSCREW DIN 916-M6X12-A2-70	
10-510	60370108900	001	LOCKING SLIDER, COMPL.	
10-512	60370110700	001	BEARING BOLT	
10-514	60800105000	001	WASHER 8,2 X 13,8 X 0,8	
10-516	57750600001	001	RETAINING WASHER DIN 6799 6	
10-600	60800116900	001	BIZERBA CHARACTER FONT	
10-603	51977600000	001	WARNING PLATE WITH DANGER ARROW	
11		001	BASIC COMPONENTS SE 12 USA FACELIFT, WITH AUTOMATIC S.	
		001	BASIC COMPONENTS GSP H +MULTI +LIFT, WITH AUTOMATIC S.	
11-60	60371100201	001	CARRIAGE GUIDE CPL., WITH AUTOMATIC SWITCHOFF	
11-60-1	60371100300	001	CARRIAGE RAIL INFRONT OF POWER-OFF AUTOM	
11-60-1-1	60371100400	001	CARRIAGE RAIL POWER-OFF AUTOM	
11-60-1-5 (V)	60540271900	001	MAGNET VACODYM370WZ, ROUND 10X4	
11-60-1-16	60370115200	001	BOLT NSF	
11-240	60380101701	001	LOAD ARM, PRE-ASSEMBLED, AUTOMATIC SWITCHOFF	
11-240-1	60371101600	001	BEARING ARM, AUTOMATIC SWITCHOFF	
11-298	71010650000	001	CABLE GLAND PG7 UL53015000	
11-299	71161070000	001	NUT PG 7 DIN 46320	
11-340	60386100702	001	SENSOR COMPL. CUT. SE12D	
11-342	60380315100	001	NUT PLATE	
11-343	56805410000	002	OVAL-HEAD SCREW DIN 7985-M4X6-5.8	
11-344	56739040000	002	WASHER DIN 125-A 4.3-A2-70	
11-345	60380102301	001	FISH PLATE	
11-346	57429060000	002	HEXAGON SCREW DIN 933-M4X6-A2-70	
11-348	71169050000	001	KABELSCHELLE HP-5N	
11-349	56739040000	001	WASHER DIN 125-A 4.3-A2-70	
11-350	56808440000	002	SELF-TAPP.SCREW DIN 7500-CM4X12-ST	
11-470	60371100900	001	DUCT ASS., AUTOMATIC SWITCHOFF	
12		001	BASIC COMPONENTS SE 12 IA FACELIFT, IBERO-AMERIKA	
		001	BASIC COMPONENTS GSP H -MULTI -HEB, IBERO-AMERIKA	
12-100	57743520000	002	SOCKET HEAD SCREW DIN 912-M6X70-A2-70	
12-109	57743440000	002	SOCKET HEAD SCREW DIN 912-M6X25-A2-70	
13		001	BASIC COMPONENTS GSP HC - MULTI -HEB, CERACLEAN	
		001	BASIC COMPONENTS GSP HC + MULTI +HEB, CERACLEAN	
13-1	60371690100	001	MACHINE HOUSING RAISED LIP C	
13-10	38017600000	001	SUPPORTER C	
13-64	38017693000	002	SEALING WASHER C	
13-103	38017317000	002	DISTANCE COLLAR C	

Bitte unbedingt 11-stellige **Bestell-Nr.** angeben • Please always indicate 11 digit **Order No.** • Absolutement nécessaire d'indiquer **No. de commande** (11 chiffres) • Favorisca specificarci sempre il **N. di ordine** a 11 cifre • Es imprescindible que citen el **No. de pedido** (11 guarismos)

Text page <b>6</b>	<b>GSP H33 / GSP HC 33</b>	Spare parts list No. <b>037.98.3.1201</b>	Series (code No.) <b>90.034</b>
-----------------------	----------------------------	--	------------------------------------

Number in drawing	Order number	Piece	Designation	from status onwards
X 17	X 60374010000	X 001	X LIFTING LEVER	X
17-1	60374000800	001	LIFTING DEVICE PRE-ASSEMBLED	
17-1-1	60374000500	001	ARM	
17-1-5	60374000300	001	LIFT FOOT BLOCK	
17-1-10	60374000200	001	LIFTING DEVICE STOPPER	
17-1-15	60374000100	001	LIFT FOOT	
17-1-20	60374000600	001	SHAFT	
17-1-25	60224000400	002	ROLLER	
17-1-30	60510100053	002	HEXAGON SETSCREW M 6X7X9	
17-1-35	56359570000	003	GROOVED PIN SPECIAL 4X18-A2	
17-1-40	56359380000	001	GROOVED PIN DIN 1473-4X20-A2	
17-1-45	56086280000	001	BALL KNOB DIN 319-KU-40-M12-C	
17-1-50	50001250000	002	BUSH 12X14X10	
17-5	57743461000	002	SOCKET HEAD SCREW DIN 912-M6X35-A2-70	
17-6	57743540000	002	SOCKET HEAD SCREW DIN 912-M6X80-A2-70	
17-10	60300020003	004	INTERMEDIATE RING	
17-12	56046250000	002	SETSCREW DIN 551-M6X25-A2-70	
17-15	60374000401	002	SPACER SLEEVE	
17-25	57431250000	002	HEXAGON SCREW DIN 933-M6X25-A2-70	
17-30	57767060000	002	SPR. LOCK WASHER DIN 126-A6-FST	
20		001	CARRIAGE ALU WELDED 1PC 25H 90MM L	
20-10	60370504002	001	CARRIAGE FOOT MACHINED 25 H	
20-20	60370504100	002	WASHER	
20-30	60370303700	001	HANDHOLD 28X90 M10	
20-40	38008544000	001	GRIPARM	
20-45	60370104900	001	SEALING	
20-60	56456830000	001	HEXAGON NUT DIN 934-M12-A2-70	
20-65	57744880000	001	COVERING CAP RIBE SW6 M8	
20-80	60800204600	001	STAR KNOB WITH BOLT	
20-80-1	56087070000	001	STAR KNOB DIN 6335-K 63 M12-CUZN	
20-80-2	60220400500	001	THREADED BOLT	
20-90	56768100000	001	WASHER DIN 125-A 13-PA66	
20-100	57753800000	001	RETAINING WASHER DIN 6799-8-1.4122	
20-110	57743430000	003	SOCKET HEAD SCREW DIN 912-M6X20-A2-70	
20-120	56739060000	003	WASHER DIN 125-A 6,4-A2-70	
20-130	38008753001	001	CARRIAGE PLATE WELDED 90MM L	
20-140	38010566000	001	CARRIAGE PLATE FOOT	
20-150	38900063000	003	HEX. FLANGE BOLTS DIN 6921-M6X16-A2-70	
20-160	38010519000	002	BEARING PEDESTAL	
20-180	56972510000	004	MUSHROOM HEAD SCREW M4X12-A2-70	
20-190	38010555000	001	GUIDE SHAFT	
20-200	50001510000	003	DISC SPRING DIN 151 11X6.2X0.3	
20-210	60353601700	003	DASHPOT	
20-230	60371603100	001	SLIDER PROTECTION AND LEVER GRIVORY	
20-230-10	60371601200	001	LEVEL PRE ASSEMBLED	
20-230-10-10	38008669000	001	LEVER	
20-230-10-20	38004696000	002	BUSHING 1415 DP4	
20-230-10-30	40300900005	002	BOLT	

Bitte unbedingt 11-stellige **Bestell-Nr.** angeben • Please always indicate 11 digit **Order No.** • Absolutement nécessaire d'indiquer **No. de commande** (11 chiffres) • Favorisca specificarci sempre il **N. di ordine** a 11 cifre • Es imprescindible que citen el **No. de pedido** (11 guarismos)

Series (code No.) <b>90.034</b>	Spare parts list No. <b>037.98.3.1201</b>	<b>GSP H33 / GSP HC 33</b>	Text page <b>7</b>
------------------------------------	--	----------------------------	-----------------------

Number in drawing	Order number	Piece	Designation	from status onwards
X	X	X	X	X
20-230-10-40	56337160000	001	GROOVED PIN DIN 1474-5X16 A2-70	
20-230-10-50	60370403800	001	PIN	
20-230-10-70	38008734000	001	WASHER	
20-230-20	60370413200	001	SLIDER PROTECTING DEVICE, GRIVORY	
20-230-30	60270201802	001	WASHER WITH BOLT	
20-230-40	60220401600	001	LOCK WASHER	
20-230-50	60220403800	001	WASHER	
20-230-60	60370403000	001	BOLT	
20-230-90	50001540000	001	DISC SPRING 23,7X14,3X0,3	
20-230-100	60352302300	001	THRUST WASHER	
20-230-110	60370303700	001	HANDHOLD 28X90 M10	
20-240	38010518000	001	INTERLOCK	
20-260	56972540000	002	SCREW M4 X 10 - A2	
20-270	60274601000	002	BOLT	
21		001	CARRIAGE ALU WELDED 1PC 25H 150MM L	
21-10	60370504002	001	CARRIAGE FOOT MACHINED 25 H	
21-20	60370504100	002	WASHER	
21-30	60370303700	001	HANDHOLD 28X90 M10	
21-40	38008544000	001	GRIPARM	
21-45	60370104900	001	SEALING	
21-60	56456830000	001	HEXAGON NUT DIN 934-M12-A2-70	
21-65	57744880000	001	COVERING CAP RIBE SW6 M8	
21-80	60800204600	001	STAR KNOB WITH BOLT	
21-80-1	56087070000	001	STAR KNOB DIN 6335-K 63 M12-CUZN	
21-80-2	60220400500	001	THREADED BOLT	
21-90	56768100000	001	WASHER DIN 125-A 13-PA66	
21-100	57753800000	001	RETAINING WASHER DIN 6799-8-1.4122	
21-110	57743430000	003	SOCKET HEAD SCREW DIN 912-M6X20-A2-70	
21-120	56739060000	003	WASHER DIN 125-A 6,4-A2-70	
21-130	60371640100	001	CARRIAGE PLATE WELDED 150MM	
21-140	38010566000	001	CARRIAGE PLATE FOOT	
21-150	38900063000	003	HEX. FLANGE BOLTS DIN 6921-M6X16-A2-70	
21-160	38010519000	002	BEARING PEDESTAL	
21-180	56972510000	004	MUSHROOM HEAD SCREW M4X12-A2-70	
21-190	38010555000	001	GUIDE SHAFT	
21-200	50001510000	003	DISC SPRING DIN 151 11X6.2X0.3	
21-210	60353601700	003	DASHPOT	
21-240	38010518000	001	INTERLOCK	
21-260	56972540000	002	SCREW M4 X 10 - A2	
21-270	60274601000	002	BOLT	
22		001	CARRIAGE 25H TRANSPARENT 150MM L	
22-10	60370504002	001	CARRIAGE FOOT MACHINED 25 H	
22-20	60370504100	002	WASHER	
22-30	60370303700	001	HANDHOLD 28X90 M10	
22-40	38008544000	001	GRIPARM	
22-45	60370104900	001	SEALING	
22-60	56456830000	001	HEXAGON NUT DIN 934-M12-A2-70	
22-65	57744880000	001	COVERING CAP RIBE SW6 M8	

Bitte unbedingt 11-stellige **Bestell-Nr.** angeben • Please always indicate 11 digit **Order No.** • Absolutement nécessaire d'indiquer **No. de commande** (11 chiffres) • Favorisca specificarci sempre il **N. di ordine** a 11 cifre • Es imprescindible que citen el **No. de pedido** (11 guarismos)

Text page <b>8</b>	<b>GSP H33 / GSP HC 33</b>	Spare parts list No. <b>037.98.3.1201</b>	Series (code No.) <b>90.034</b>
-----------------------	----------------------------	--	------------------------------------

Number in drawing	Order number	Piece	Designation	from status onwards
X	X	X	X	X
22-80	60800204600	001	STAR KNOB WITH BOLT	
22-80-1	56087070000	001	STAR KNOB DIN 6335-K 63 M12-CUZN	
22-80-2	60220400500	001	THREADED BOLT	
22-90	56768100000	001	WASHER DIN 125-A 13-PA66	
22-100	57753800000	001	RETAINING WASHER DIN 6799-8-1.4122	
22-110	57743430000	003	SOCKET HEAD SCREW DIN 912-M6X20-A2-70	
22-120	56739060000	003	WASHER DIN 125-A 6,4-A2-70	
22-130	38009277000	001	CARRIAGE PLATE	
22-140	38010566000	001	CARRIAGE PLATE FOOT	
22-150	38900063000	003	HEX. FLANGE BOLTS DIN 6921-M6X16-A2-70	
22-160	38010519000	002	BEARING PEDESTAL	
22-180	56972510000	004	MUSHROOM HEAD SCREW M4X12-A2-70	
22-190	38010555000	001	GUIDE SHAFT	
22-200	50001510000	003	DISC SPRING DIN 151 11X6.2X0.3	
22-210	60353601700	003	DASHPOT	
22-230	60371604100	001	SLIDER PROTECTION AND LEVER, COLORCOMP	
22-230-10	60371601200	001	LEVEL PRE ASSEMBLED	
22-230-10-10	38008669000	001	LEVER	
22-230-10-20	38004696000	002	BUSHING 1415 DP4	
22-230-10-30	40300900005	002	BOLT	
22-230-10-40	56337160000	001	GROOVED PIN DIN 1474-5X16 A2-70	
22-230-10-50	60370403800	001	PIN	
22-230-10-70	38008734000	001	WASHER	
22-230-20	60370203203	001	GUARD PLATE, COLORCOMP	
22-230-30	60270201802	001	WASHER WITH BOLT	
22-230-40	60220401600	001	LOCK WASHER	
22-230-50	60220403800	001	WASHER	
22-230-60	60370403000	001	BOLT	
22-230-90	50001540000	001	DISC SPRING 23,7X14,3X0,3	
22-230-100	60352302300	001	THRUST WASHER	
22-230-110	60370303700	001	HANDHOLD 28X90 M10	
22-240	38010518000	001	INTERLOCK	
22-260	56972540000	002	SCREW M4 X 10 - A2	
22-270	60274601000	002	BOLT	
22-280	60370401900	004	SCREW	
22-290	60370302100	001	REAR WALL WIDE	
22-300	60370402001	001	ADHESIVE FOIL	
22-310	56739050000	004	WASHER DIN 125-A 5,3 -A2-70	
22-320	57767050000	004	SPR. LOCK WASHER DIN 128-A5-FST	
22-330	56444500000	004	HEXAGON NUT DIN 439-BM5-A2-70	
22-340	60370402200	004	PROTECTIVE PLUG	
23		001	CARRIAGE ALU WELDED 1PC 25H 90MM L C	
23-10	38018092000	001	CARRIAGE FOOT MACHINED 25H C	
23-20	60370504100	002	WASHER	
23-30	60370303700	001	HANDHOLD 28X90 M10	
23-40	38008544000	001	GRIPARM	
23-45	60370104900	001	SEALING	
23-60	56456830000	001	HEXAGON NUT DIN 934-M12-A2-70	
23-65	57744880000	001	COVERING CAP RIBE SW6 M8	

Bitte unbedingt 11-stellige **Bestell-Nr.** angeben • Please always indicate 11 digit **Order No.** • Absolutement nécessaire d'indiquer **No. de commande** (11 chiffres) • Favorisca specificarci sempre il **N. di ordine** a 11 cifre • Es imprescindible que citen el **No. de pedido** (11 guarismos)



Series (code No.) <b>90.034</b>	Spare parts list No. <b>037.98.3.1201</b>	<b>GSP H33 / GSP HC 33</b>	Text page <b>9</b>
------------------------------------	--	----------------------------	-----------------------

Number in drawing	Order number	Piece	Designation	from status onwards
X	X	X	X	X
23-80	60800204600	001	STAR KNOB WITH BOLT	
23-80-1	56087070000	001	STAR KNOB DIN 6335-K 63 M12-CUZN	
23-80-2	60220400500	001	THREADED BOLT	
23-90	56768100000	001	WASHER DIN 125-A 13-PA66	
23-100	57753800000	001	RETAINING WASHER DIN 6799-8-1.4122	
23-110	57743430000	003	SOCKET HEAD SCREW DIN 912-M6X20-A2-70	
23-120	56739060000	003	WASHER DIN 125-A 6,4-A2-70	
23-130	38014971000	001	CARRIAGE PLATE WELDED 90MM L C	
23-140	38014968000	001	CARRIAGE PLATE FOOT C	
23-150	38900063000	003	HEX. FLANGE BOLTS DIN 6921-M6X16-A2-70	
23-160	38014966000	002	BEARING PEDESTAL C	
23-180	56972510000	004	MUSHROOM HEAD SCREW M4X12-A2-70	
23-190	38010555000	001	GUIDE SHAFT	
23-200	50001510000	003	DISC SPRING DIN 151 11X6.2X0.3	
23-210	60353601700	003	DASHPOT	
23-230	60371693100	001	SLIDER PROTECTION AND LEVER C	
23-230-10	60371691200	001	LEVER PRE ASSEMBLED C	
23-230-10-10	38014975000	001	LEVER C	
23-230-10-20	38004696000	002	BUSHING 1415 DP4	
23-230-10-30	40300900005	002	BOLT	
23-230-10-40	56337160000	001	GROOVED PIN DIN 1474-5X16 A2-70	
23-230-10-50	60370403800	001	PIN	
23-230-10-70	38008734000	001	WASHER	
23-230-20	60370413200	001	SLIDER PROTECTING DEVICE, GRIVORY	
23-230-30	60270201802	001	WASHER WITH BOLT	
23-230-40	60220401600	001	LOCK WASHER	
23-230-50	60220403800	001	WASHER	
23-230-60	60370403000	001	BOLT	
23-230-90	50001540000	001	DISC SPRING 23,7X14,3X0,3	
23-230-100	60352302300	001	THRUST WASHER	
23-230-110	60370303700	001	HANDHOLD 28X90 M10	
23-240	38010518000	001	INTERLOCK	
23-260	56972540000	002	SCREW M4 X 10 - A2	
23-270	60274601000	002	BOLT	
25		001	CARRIAGE ALU WELDED 1PC 25L 90MM L	
25-10	38009893000	001	CARRIAGE FOOT MACHINED 25 LOW	
25-20	60370504100	002	WASHER	
25-30	60370303700	001	HANDHOLD 28X90 M10	
25-40	38008544000	001	GRIPARM	
25-45	60370104900	001	SEALING	
25-60	56456830000	001	HEXAGON NUT DIN 934-M12-A2-70	
25-65	57744880000	001	COVERING CAP RIBE SW6 M8	
25-80	38011691000	001	STAR KNOB K63 LONG CPL.	
25-80-1	56087070000	001	STAR KNOB DIN 6335-K 63 M12-CUZN	
25-80-2	60220400500	001	THREADED BOLT	

Bitte unbedingt 11-stellige **Bestell-Nr.** angeben • Please always indicate 11 digit **Order No.** • Absolutement nécessaire d'indiquer **No. de commande** (11 chiffres) • Favorisca specificarci sempre il **N. di ordine** a 11 cifre • Es imprescindible que citen el **No. de pedido** (11 guarismos)

Text page <b>10</b>	<b>GSP H33 / GSP HC 33</b>	Spare parts list No. <b>037.98.3.1201</b>	Series (code No.) <b>90.034</b>
------------------------	----------------------------	--	------------------------------------

Number in drawing	Order number	Piece	Designation	from status onwards
X	X	X	X	X
25-90	56768100000	001	WASHER DIN 125-A 13-PA66	
25-100	57753800000	001	RETAINING WASHER DIN 6799-8-1.4122	
25-110	57743430000	003	SOCKET HEAD SCREW DIN 912-M6X20-A2-70	
25-120	56739060000	003	WASHER DIN 125-A 6,4-A2-70	
25-130	38008753001	001	CARRIAGE PLATE WELDED 90MM L	
25-140	38010566000	001	CARRIAGE PLATE FOOT	
25-150	38900063000	003	HEX. FLANGE BOLTS DIN 6921-M6X16-A2-70	
25-160	38010519000	002	BEARING PEDESTAL	
25-180	56972510000	004	MUSHROOM HEAD SCREW M4X12-A2-70	
25-190	38010555000	001	GUIDE SHAFT	
25-200	50001510000	003	DISC SPRING DIN 151 11X6.2X0.3	
25-210	60353601700	003	DASHPOT	
25-240	38010518000	001	INTERLOCK	
25-260	56972540000	002	SCREW M4 X 10 - A2	
25-270	60274601000	002	BOLT	
26		001	CARRIGE ALU WELDED 1PC 25L 150MM L	
26-10	38009893000	001	CARRIAGE FOOT MACHINED 25 LOW	
26-20	60370504100	002	WASHER	
26-30	60370303700	001	HANDHOLD 28X90 M10	
26-40	38008544000	001	GRIPARM	
26-45	60370104900	001	SEALING	
26-60	56456830000	001	HEXAGON NUT DIN 934-M12-A2-70	
26-65	57744880000	001	COVERING CAP RIBE SW6 M8	
26-80	38011691000	001	STAR KNOB K63 LONG CPL.	
26-80-1	56087070000	001	STAR KNOB DIN 6335-K 63 M12-CUZN	
26-80-2	60220400500	001	THREADED BOLT	
26-90	56768100000	001	WASHER DIN 125-A 13-PA66	
26-100	57753800000	001	RETAINING WASHER DIN 6799-8-1.4122	
26-110	57743430000	003	SOCKET HEAD SCREW DIN 912-M6X20-A2-70	
26-120	56739060000	003	WASHER DIN 125-A 6,4-A2-70	
26-130	60371640100	001	CARRIAGE PLATE WELDED 150MM	
26-140	38010566000	001	CARRIAGE PLATE FOOT	
26-150	38900063000	003	HEX. FLANGE BOLTS DIN 6921-M6X16-A2-70	
26-160	38010519000	002	BEARING PEDESTAL	
26-180	56972510000	004	MUSHROOM HEAD SCREW M4X12-A2-70	
26-190	38010555000	001	GUIDE SHAFT	
26-200	50001510000	003	DISC SPRING DIN 151 11X6.2X0.3	
26-210	60353601700	003	DASHPOT	
26-240	38010518000	001	INTERLOCK	
26-260	56972540000	002	SCREW M4 X 10 - A2	
26-270	60274601000	002	BOLT	
27		001	CARRIAGE 18L TRANSPARENT 150MM C	
27-10	38018044000	001	CARRIAGE FOOT MACHINED 18 LOW C	
27-20	60370504100	002	WASHER	
27-30	60370303700	001	HANDHOLD 28X90 M10	
27-40	38008544000	001	GRIPARM	
27-45	60370104900	001	SEALING	
27-60	56456830000	001	HEXAGON NUT DIN 934-M12-A2-70	
27-65	57744880000	001	COVERING CAP RIBE SW6 M8	

Bitte unbedingt 11-stellige **Bestell-Nr.** angeben • Please always indicate 11 digit **Order No.** • Absolutement nécessaire d'indiquer **No. de commande**  
(11 chiffres) • Favorisca specificarci sempre il **N. di ordine** a 11 cifre • Es imprescindible que citen el **No. de pedido** (11 guarismos)

Series (code No.) <b>90.034</b>	Spare parts list No. <b>037.98.3.1201</b>	<b>GSP H33 / GSP HC 33</b>	Text page <b>11</b>
------------------------------------	--	----------------------------	------------------------

Number in drawing	Order number	Piece	Designation	from status onwards
X	X	X	X	X
27-80	38011691000	001	STAR KNOB K63 LONG CPL.	
27-80-1	56087070000	001	STAR KNOB DIN 6335-K 63 M12-CUZN	
27-80-2	60220400500	001	THREADED BOLT	
27-90	56768100000	001	WASHER DIN 125-A 13-PA66	
27-100	57753800000	001	RETAINING WASHER DIN 6799-8-1.4122	
27-110	57743430000	003	SOCKET HEAD SCREW DIN 912-M6X20-A2-70	
27-120	56739060000	003	WASHER DIN 125-A 6,4-A2-70	
27-130	38014985000	001	CARRIAGE PLATE C	
27-140	38014968000	001	CARRIAGE PLATE FOOT C	
27-150	38900063000	003	HEX. FLANGE BOLTS DIN 6921-M6X16-A2-70	
27-160	38014966000	002	BEARING PEDESTAL C	
27-180	56972510000	004	MUSHROOM HEAD SCREW M4X12-A2-70	
27-190	38014680000	001	GUIDE SHAFT	
27-200	50001510000	003	DISC SPRING DIN 151 11X6.2X0.3	
27-210	60353601700	003	DASHPOT	
27-230	60371694100	001	SLIDER PROTEC TRANSP AND LEVER C	
27-230-10	60371691200	001	LEVER PRE ASSEMBLED C	
27-230-10-10	38014975000	001	LEVER C	
27-230-10-20	38004696000	002	BUSHING 1415 DP4	
27-230-10-30	40300900005	002	BOLT	
27-230-10-40	56337160000	001	GROOVED PIN DIN 1474-5X16 A2-70	
27-230-10-50	60370403800	001	PIN	
27-230-10-70	38008734000	001	WASHER	
27-230-20	60370203203	001	GUARD PLATE, COLORCOMP	
27-230-30	60270201802	001	WASHER WITH BOLT	
27-230-40	60220401600	001	LOCK WASHER	
27-230-50	60220403800	001	WASHER	
27-230-60	60370403000	001	BOLT	
27-230-90	50001540000	001	DISC SPRING 23,7X14,3X0,3	
27-230-100	60352302300	001	THRUST WASHER	
27-230-110	60370303700	001	HANDHOLD 28X90 M10	
27-245	38017918000	001	CONSTRAINT	
27-255	57630440000	001	COUNTERS.SCR. DIN 963-M4X12-A2-70	
27-270	60274601000	002	BOLT	
27-280	60370401900	004	SCREW	
27-350	60370402001	001	ADHESIVE FOIL	
27-360	60370302100	001	REAR WALL WIDE	
27-370	56739050000	004	WASHER DIN 125-A 5,3 -A2-70	
27-380	57767050000	004	SPR. LOCK WASHER DIN 128-A5-FST	
27-390	56444500000	004	HEXAGON NUT DIN 439-BM5-A2-70	
27-400	60370402200	004	PROTECTIVE PLUG	
27-410	38014990000	001	PROTECTIVE PLATE 18 C	
40	60736200100	001	ARMoured MAINS CABLE AC EURO L = 2.5M	
43	40300057700	001	POWER CONNECTING CABLE (USA, CAN)	

Text page <b>12</b>	<b>GSP H33 / GSP HC 33</b>	Spare parts list No. <b>037.98.3.1201</b>	Series (code No.) <b>90.034</b>
------------------------	----------------------------	--	------------------------------------

Number in drawing	Order number	Piece	Designation	from status onwards
X	X	X	X	X
51		001	BLADE MOTOR CPL. AC120V/60HZ, OLD VERSION, ATB	
51-10	60370107201	001	WASHER	
51-11	57442160000	001	COUNTERS.SCR. DIN 7991-M6X16-A2-70	
51-20	60220104602	001	EXHAUST AIR HOOD, AT THE TOP	
51-21	40220104701	001	EXHAUST AIR HOOD, AT BOTTOM	
51-22	56739040000	003	WASHER DIN 125-A 4.3-A2-70	
51-23	56805410000	003	OVAL-HEAD SCREW DIN 7985-M4X6-5.8	
52	60380110101	001	BLADE MOTOR CPL.AC, 120V/60HZ, THERMO, NEW VERSION	
	60380110401	001	BLADE MOTOR CPL.AC, 230V/50HZ, THERMO, NEW VERSION	
52-2	52022660000	001	BLADE MOTOR AC 120V 60HZ W. THERMO, GROSCHOPP	
	52022640000	001	BLADE MOTOR AC 230V 50HZ W. THERMO, GROSCHOPP	
52-10	38010326001	001	WASHER (FOR 120V 60HZ, PA66GF 30)	
	60370107201	001	WASHER (FOR 230V 50HZ, 11SMN 30)	
52-11	57442160000	001	COUNTERS.SCR. DIN 7991-M6X16-A2-70	
61	71092130000	001	CAPACITOR 6 MF 400 VDB	
	76090090000	001	CAPACITOR MP 20UF 280V DEU+MEX	
66	60370113800	001	HOLDING ANGLE PLATE	
68	56818430000	001	SELF-TAPP.SCREW DIN 7500-CM4X8-T20-ST	
69	56739040000	001	WASHER DIN 125-A 4.3-A2-70	
70	60375301105	001	LPB ON-OFF 120V SE 12	
	60375300105	001	LPB ON-OFF 230V SE 12	
70-400	71146090000	001	MINIATURE CONTACTOR 120VAC E3250BV15	
70-412	71218440000	004	SNAP SWITCH DB3C-C1AA	
70-416	71119000000	001	GLOW LAMP 24V 1200110000	
71	60377020000	001	SW LPB DEACTIVATION WE SE12	
71-1-400	71186170000	001	SMALL RELAY V23105-A5301-A201	
71-1-402	71186490000	001	INDUSTR.RELAY MINI 5513.9.012.0000	
71-1-410	71218440000	004	SNAP SWITCH DB3C-C1AA	
71-1-414	71452190000	001	G-FUSE CARTRIDGE 0,5 T UL NO 19198	
72	60266100600	001	STRAND POWER PACK MODULE VS8, L=70MM	
73	60376100100	002	LI CB-X2 L=330MM SE 12	
74	60736190100	002	STRAND SWITCH-CONTACTOR UL	
78	60376000200	001	TRANSFORMER RK 115V/10VA SE12	
79	57743100000	001	SOCKET HEAD SCREW DIN 912-M4X22-A2-70	
81	56818430000	001	SELF-TAPP.SCREW DIN 7500-CM4X8-T20-ST	
82	56739040000	001	WASHER DIN 125-A 4.3-A2-70	
83	57758610000	002	TOOTHED WASHER DIN 6797-A 4,3-FST	
85	60376400201	001	DECO FOIL	

Bitte unbedingt 11-stellige **Bestell-Nr.** angeben • Please always indicate 11 digit **Order No.** • Absolutement nécessaire d'indiquer **No. de commande** (11 chiffres) • Favorisca specificarci sempre il **N. di ordine** a 11 cifre • Es imprescindible que citen el **No. de pedido** (11 guarismos)

Series (code No.) <b>90.034</b>	Spare parts list No. <b>037.98.3.1201</b>	<b>GSP H33 / GSP HC 33</b>	Text page <b>13</b>
------------------------------------	--	----------------------------	------------------------

Number in drawing	Order number	Piece	Designation	from status onwards
X	X	X	X	X
90	94001000047	001	BLADE 330 C	
	94001000013	001	BLADE, 4-HOLE, VS8/SE8/VF330/A330/A400 RA	
	94001000014	001	BLADE, 4-HOLE, VS8/SE8/VF330/A400 G+B	
	94001000016	001	BLADE, TEFL. 4HOLE VS8/SE8/VF330/A400 G+B	
	94001000017	001	BLADE CHEESE, VS8/SE8/VF330/A330 G+B.	
	94001000029	001	BREAD BLADE 330D, 4-HOLE, SPIRAL TOOTH	
95	38010280000	001	BLADE COVER COMPL.	
	38016193000	001	BLADE COVER CPL CERACLEAN	
95-10	38010279000	001	BLADE COVER PREASS.	
	38016178000	001	BLADE COVER PREASS CERACLEAN	
95-10-10	38008349001	001	BOLT LONG	
95-10-20	38007455000	001	BLADE COVER	
	38016161000	001	BLADE COVER CERACLEAN	
95-20	38007856002	001	HANDLE	
95-30	38007880000	001	WASHER	
95-40	38007882000	002	THRUST WASHER	
95-50	56400890000	001	LOCKNUT DIN 985-M4-A2-70	
95-60	40220000201	001	PROTECTIVE PLUG 12.2 KNURLED	
95-70	60800108400	001	BRACKET HANDLE 100XM5	
	60800198400	001	BRACKET HANDLE CERACLEAN	
95-80	57630530000	002	COUNTERS.SCR. DIN 963-M5X12-A2-70	
100	60371670000	001	BLADE GUARD RING PREASS. LOW PLASTIC	
100-10	38010599001	001	BLADE GUARD RING LOW PLASTIC	
100-20	60370161300	001	LOCATION BOLT	
100-50	56083980000	001	SETSCREW DIN 916-M6X12-A2-70	
101	60371660000	001	BLADE GUARD RING PREASS. HIGH PLASTIC	
101-10	38010249001	001	BLADE GUARD RING HIGH PLASTIC	
110	60371626000	001	GAUGE PLATE FLUTING PRE ASSEMBL. 18L/25L	
	60378034200	001	GAUGE PLATE PRE ASSEMBL. 18L/25L CERACLEAN	
110-1	38010418000	001	GAUGE PLATE 18L/25L	
	38015980000	001	GAUGE PLATE 18L/25L CERACLEAN	
110-3	56453380000	002	THREADED INSERT STANDARD M10X15	
110-5	60370110801	002	THREADED PIN	
111	60371616000	001	GAUGE PLATE FLUTING PRE ASSEMBL. 18H/25H	
	60378034400	001	GAUGEPLATE FLUTING PREASS 18H/25H CERACLEAN	
111-1	60370182000	001	GAUGE PLATE 18H/25H	
	60370189000	001	GAUGE PLATE 18H/25H CERACLEAN	

Text page <b>14</b>	<b>GSP H33 / GSP HC 33</b>	Spare parts list No. <b>037.98.3.1201</b>	Series (code No.) <b>90.034</b>
------------------------	----------------------------	--	------------------------------------

Number in drawing	Order number	Piece	Designation	from status onwards
X 115	X 60374807100 60374807200 60374803700 60374803800	X 001 001 001 001	X NAMEPLATE GSP H NAMEPLATE GSP H C NAMEPLATE GSP H CE NAMEPLATE GSP H C CE	X
116	60374805100 60374805200	001 001	PROTECTION FOIL 43X80 PROTECTION FOIL 80X80	
130 131	60374800100 60374811501	001 001	ADHESIVE CIRCUIT DIAGRAM AC GER SE1 ADHESIVE TAPE WE SE12 ABSCH/HEX.	
132 134 136 137 138	51975600000 60544808100 38017656000 67501163700 71004310000	001 001 001 001 005	REFERENCE PLATE; ATTENTION UNPLUG POWER REFERENCE PLATE "DO NOT CLEAN WITH HOSE" WARNING PLATE REFERENCE PLATE WARNING INSTRUCTIONS CABEL TIE T18R	
140 140-1 140-2 (V) 140-3 140-4 140-5	40220003400 60220007800 40950000176 50002840000 60220007500	001 001 001 001 001	ACCESSORIES PROTECTIVE BAG SERVICE OIL BY BIZERBA 30 ML BRUSH WITH WIPER POLISHING CLOTH PAPER FELT	
150 150-10 150-60 150-70 150-80 150-90 150-100 150-120 150-130	60610000400 57744870000 57743560000 38017247000 38017249000 57743590000 38017247000 38017249000	001 004 004 002 001 001 002 001 001	RUBBERFEET HIGH RUBBER FOOT COVERING CAP RIBE SW5 SOCKED HEAD SCREW DIN 912-M6X110-A2-70 DISTANCE COLLAR 77 DISTANCE COLLAR 114 SOCKET HEAD SCREW DIN 912-M6X150-A2-70 DISTANCE COLLAR 77 DISTANCE COLLAR 114	
155 156 157 158	57744860000 57744870000 57744880000 50002520000	019 019 001 002	COVERING CAP RIBE SW4 COVERING CAP RIBE SW5 COVERING CAP RIBE SW6 M8 PROTECTIVE PLUG TL-4-062	

Bitte unbedingt 11-stellige **Bestell-Nr.** angeben • Please always indicate 11 digit **Order No.** • Absolutement nécessaire d'indiquer **No. de commande**  
(11 chiffres) • Favorisca specificarci sempre il **N. di ordine** a 11 cifre • Es imprescindible que citen el **No. de pedido** (11 guarismos)

Series (code No.) <b>90.034</b>	Spare parts list No. <b>037.98.3.1201</b>	<b>GSP H33 / GSP HC 33</b>	Text page <b>15</b>
------------------------------------	--	----------------------------	------------------------

Number in drawing	Order number	Piece	Designation	from status onwards
X	X	X	X	X
160	38010263000	001	GRINDER NSF CPL. 18H 25H USA, W/O SHARPENING LIMITER	
	38010263001	001	GRINDER NSF CPL. 18H 25H. EUROPA, WITH SHARP. LIMITER	
160-10	38010259000	001	GRINDER PRE-ASSEMBLED CE	
160-10-10	38010548000	001	HOUSING	
160-10-20	60220600500	001	SHAFT	
160-10-30	38010980000	001	PRESSURE SPRING	
160-10-40	56755650000	001	WASHER DIN 433-6.4-A2-70	
160-10-50	57753400000	001	RETAINING WASHER DIN 6799-4-1.4122	
160-10-60	38009954000	001	BEARING BOLT	
160-10-70	38009906000	001	HANDWHEEL	
160-10-80	38900056000	001	OVAL-HEAD SCREW DIN 7985-M6X30-A2-70	
160-10-90	56739060000	001	WASHER DIN 125-A 6,4-A2-70	
160-10-100	60220602600	001	SPACER BUSHING	
160-10-110	60220600700	001	SHAFT	
160-10-120	38010995001	001	PRESSURE SPRING	
160-10-125	60270202800	001	WASHER 6.2X0.18	
160-10-130	40220601100	001	WASHER	
160-10-140	57753400000	001	RETAINING WASHER DIN 6799-4-1.4122	
160-10-150	38010816000	002	LEAF SPRING	
160-10-160	60220600900	001	COVER	
160-10-170	40110500008	002	WASHER	
160-10-180 (V)	60223401000	001	SHARPENING DISK	
160-10-190 (V)	60223401100	001	HONING STONE	
160-10-200	38010304000	002	WASHER	
160-10-210	56739060000	002	WASHER DIN 125-A 6,4-A2-70	
160-10-220	38012558000	002	HEXAGON NUT DIN 439-BM6-LH-A2-70	
160-20	60370800201	001	ADAPTER USA 18/25 H, USA, WITHOUT SHARPENING LIMITER	
	60370800202	001	ADAPTER USA 18/25 H, EUROPA, WITH SHARPENING LIMITER	
160-30	38008604000	002	COVER DISC	
160-40	38008682000	001	COVER DISC LONG	
160-50	57450350000	004	TAPPING SCREW ISO 7049-C3,5X16-T15	
160-52	38900060000	004	WASHER DIN 125-A 3.7-A2-70	
160-60	38010262000	001	TIGHTENING ELEMENT	
160-70	56806700000	001	OVAL-HEAD SCREW DIN 7985-M6X25-A2-70	
160-80	56739060000	001	WASHER DIN 125-A 6,4-A2-70	
160-90	38010862000	001	STAR KNOB STAINLESS COMPL.	
160-90-10	38900055000	001	SETSCREW DIN 551-M6X30-A2-70	
160-90-20	56087030000	001	STAR KNOB DIN 6335-KU-40-M6-K-MS	
160-100	60223400500	001	CAP	

Text page <b>16</b>	<b>GSP H33 / GSP HC 33</b>	Spare parts list No. <b>037.98.3.1201</b>	Series (code No.) <b>90.034</b>
------------------------	----------------------------	--	------------------------------------

Number in drawing	Order number	Piece	Designation	from status onwards
X 161	X 38010524000 38010524001	X 001 001	X GRINDER NSF KPL. USA 25L, W/O SHARPENING LIMITER GRINDER NSF CPL. 18L/25L, WITH SHARPENING LIMITER	X
161-20	38009007000 38009007001	001 001	ADAPTER, USA, WITHOUT SHARPENING LIMITER ADAPTER, USA 25L / EUROPE 0 18L, WITH SHARP. LIMITER	
161-110	38010209000	001	STOP	
161-120	56806520000	001	OVAL-HEAD SCREW DIN 7985-M5X10-A2-70	
161-130	56765050000	001	WASHER DIN 9021-5,3-A2-70	
170	60379850005 60379851005 60379852005 60379853005 60379854005	001 001 001 001 001	INSTRUCTION MANUAL GSPH, GSPHC, GSPV DEU INSTRUCTION MANUAL GSPH, GSPHC, GSPV ENG INSTRUCTION MANUAL GSPH, GSPHC, GSPV FRA INSTRUCTION MANUAL GSPH, GSPHC, GSPV ITA INSTRUCTION MANUAL GSPH, GSPHC, GSPV ESP	
171	60379840905 60379845105 60379845205 60379845305 60379845405 60379845505 60379845605 60379845705 60379845805 60379845905 60379846005 60379846105 60379846205 60379846305 60379846405 60379846505 60379846605	001 001 001 001 001 001 001 001 001 001 001 001 001 001 001 001 001 001	OPERATING INSTRUCTIONS GSPH, GSPHC, GSPV LT OPERATING INSTRUCTIONS GSPH, GSPHC, GSPV NL OPERATING INSTRUCTIONS GSPH, GSPHC, GSPV HU OPERATING INSTRUCTIONS GSPH, GSPHC, GSPV CS OPERATING INSTRUCTIONS GSPH, GSPHC, GSPV DA OPERATING INSTRUCTIONS GSPH, GSPHC, GSPV NB OPERATING INSTRUCTIONS GSPH, GSPHC, GSPV PT OPERATING INSTRUCTIONS GSPH, GSPHC, GSPV SK OPERATING INSTRUCTIONS GSPH, GSPHC, GSPV SV OPERATING INSTRUCTIONS GSPH, GSPHC, GSPV SL OPERATING INSTRUCTIONS GSPH, GSPHC, GSPV PL OPERATING INSTRUCTIONS GSPH, GSPHC, GSPV FI OPERATING INSTRUCTIONS GSPH, GSPHC, GSPV BG OPERATING INSTRUCTIONS GSPH, GSPHC, GSPV RO OPERATING INSTRUCTIONS GSPH, GSPHC, GSPV EL OPERATING INSTRUCTIONS GSPH, GSPHC, GSPV ET OPERATING INSTRUCTIONS GSPH, GSPHC, GSPV LV	
201	47509000601	001	REFERENCE PLATE ESP	
220	60804801200	001	REFERENCE PLATE SHARP+LUBE	
251	60836100401	001	SWITCH S870+L800 03L1R073	
253	60380101500	001	NUT PLATE	
255	56805380000	002	OVAL-HEAD SCREW M 3X20	
257	56739030000	002	WASHER DIN 125-A 3,2-A2-70	
259	57767030000	002	SPR. LOCK WASHER DIN 128-A3-FST	
307	60374802300	001	INSTRUCTIONS SE 12	

Bitte unbedingt 11-stellige **Bestell-Nr.** angeben • Please always indicate 11 digit **Order No.** • Absolutement nécessaire d'indiquer **No. de commande**  
(11 chiffres) • Favorisca specificarci sempre il **N. di ordine** a 11 cifre • Es imprescindible que citen el **No. de pedido** (11 guarismos)



Series (code No.) <b>90.034</b>	Spare parts list No. <b>037.98.3.1201</b>	<b>GSP H33 / GSP HC 33</b>	Text page <b>17</b>
------------------------------------	--	----------------------------	------------------------

Number in drawing	Order number	Piece	Designation	from status onwards
X	X	X	X	X
353	60354304900	001	REMNANT HOLDER PREASSEMBLED, COLORCOMP	
	60354301703	001	REMNANT HOLDER PREASSEMBLED, COLORCOMP	
353-237	60220405902	001	THREADED BOLT	
353-238	60220405801	001	PAN HEAD SCREW M 4X12,5	
353-240	60220402001	001	CLAMP HANDLE, SMALL	
353-241	60220402101	001	COVER	
353-242	40110201403	001	SUPPORTING PIN	
355	60370411701	001	REMNANTHOLDNER PREASS., GRIVORY	
365	60220406801	001	CLAMP HANDLE, COMPL.	
370	60370502800	001	TOMATO GUIDE REMN. HOLD.PLATE	
370-1	60370502900	001	REMNANT HOLDER PLATE	
370-3	60370503000	002	FIXING BOLT	
370-5	60220405901	001	THREADED BOLT	
370-7	60220405801	001	PAN HEAD SCREW M 4X12,5	
370-11	60220402001	001	CLAMP HANDLE, SMALL	
370-13	60220402101	001	COVER	
372	60374600300	001	TOMATO GUIDE(PER SET=2), (70x12x347 MM)	
372-3	60370502600	002	SLIDER WITH RULER	
372-3-1	60370502400	001	SLIDER	
372-3-3	60370502300	001	RULER (70x12x347 MM)	
372-3-5	60380205800	001	SLIDE PIN	
372-3-7	57451590000	002	COUNTERS.SCR. DIN 965-M5X40-A2-70	
372-3-9	56777100000	002	SEALING WASHER DIN 470-10-AL	
372-3-11	56047810000	001	SETSCREW DIN 551-M8X16-PA66	
372-5	60381801400	001	THREADED BOLT	
372-6	60381801600	001	THREADED BOLT	
375	60381802001	001	RULER CPL. (30x12x339 MM)	
375-5	60381802100	001	RULER WELD. (30x12x339 MM)	
375-10	60370502400	001	SLIDER	
375-15	56047810000	001	SETSCREW DIN 551-M8X16-PA66	
375-20	57451590000	002	COUNTERS.SCR. DIN 965-M5X40-A2-70	
375-25	56777100000	002	SEALING WASHER DIN 470-10-AL	
375-30	60381802400	001	SLIDING BOLT	
390	60374600400	001	RETROFIT.KIT PROD.FIX.	
390-3	56008200000	002	SELF CLINCHING STUD FHS-M4-12-A2-70	
390-5	60370202400	001	GUIDE BAR	
390-7	60274600400	002	ROUND NUT	

Bitte unbedingt 11-stellige **Bestell-Nr.** angeben • Please always indicate 11 digit **Order No.** • Absolutement nécessaire d'indiquer **No. de commande** (11 chiffres) • Favorisca specificarci sempre il **N. di ordine** a 11 cifre • Es imprescindible que citen el **No. de pedido** (11 guarismos)

Text page <b>18</b>	<b>GSP H33 / GSP HC 33</b>	Spare parts list No. <b>037.98.3.1201</b>	Series (code No.) <b>90.034</b>
------------------------	----------------------------	--	------------------------------------

Number in drawing	Order number	Piece	Designation	from status onwards
X	X	X	X	X
395	60374600200	001	VEGETABLE CHUTE AND PUSHER	
395-1	60370501300	001	VEGETABLE CHUTE	
395-1-1	60370501400	001	PIPE WELDED	
395-1-3	60370502500	001	PIN	
395-1-5 (V)	29774530000	000	ADHESIVE TAPE NO.959 GR 80BR.X0.3	
395-1-7	60370502700	001	STAR KNOB (VEG CHUTE)	
395-3	60370501800	001	STAMPER	
395-3-1	60370501900	001	WASHER	
395-3-3	60370502000	001	THREADED ROD	
395-3-5	56086270000	001	BALL KNOB C 32 M 8 DIN 319	
9900	95972940000	001	SCREW SEALING ADHESIVE LOCTITE 243 10ML	
9901	95972840000	001	SCREW SEALING ADHESIVE LOCTITE 648 10M	
9902	95972870002	001	LOCTITE 638	
9903	95972990002	001	LOCTITE 290 50ML	
9904	95943800000	001	PATTEX GLUE TUBE / 125 GR	
9905 (V)	96055070000	001	GREASE PARALIQ GA 343	
9907 (V)	96055080000	001	KLUEBERSYNTH UH1 64-62/25KG	
9909	95944300000	001	KITCHEN SILICONE BY KNAUF ELASTO4710	
9910 (V)	94008900058	001	KLUEBERSYNTH UH1 64-62/25G (BIZERBA)	
9918	96055080000	000	OIL ISOFLEX TOPAS NB 5051	